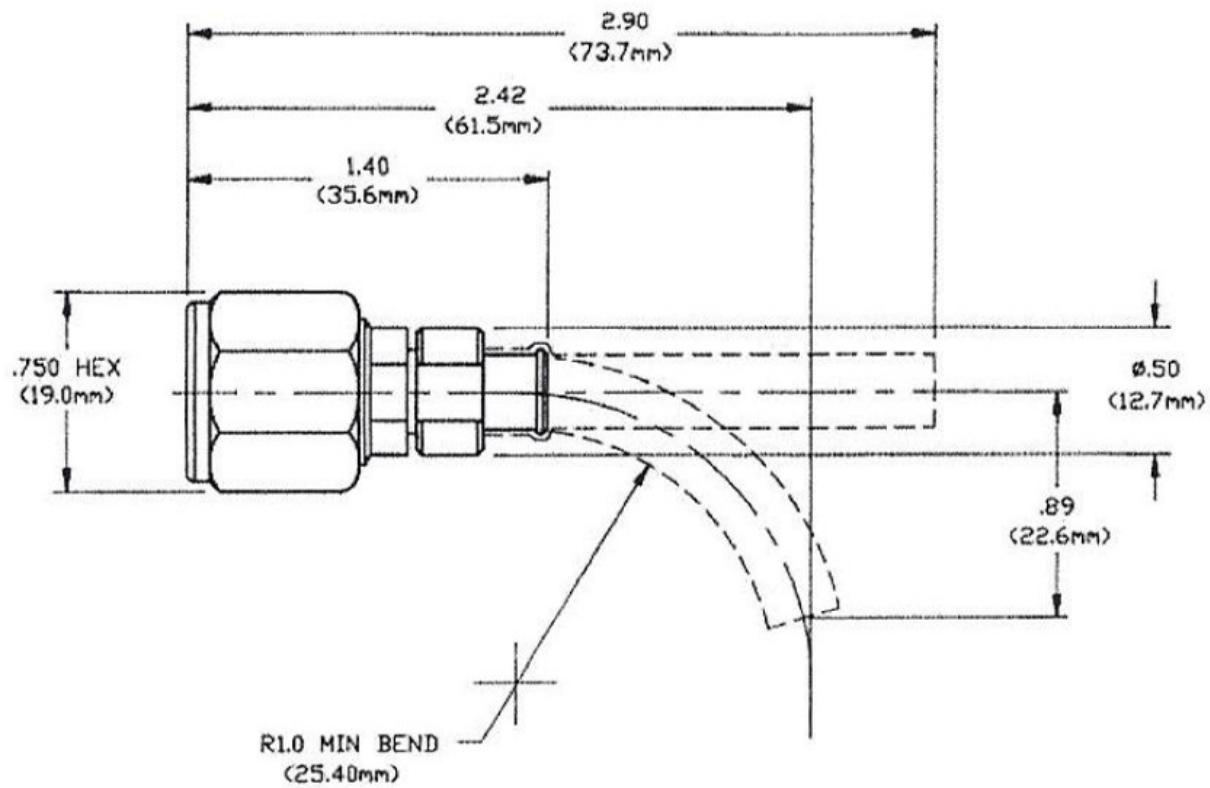


REVISIONS			
REV	DESCRIPTION	DATE	APPROVED
-	INITIAL RELEASE.	94/03/21	L. PULDTU
A	REV PER ECO 3823.	94/07/15	L. PULDTU
B	REV PER ECO 3860.	94/11/10	B. NGITHUM



NOTES: UNLESS OTHERWISE SPECIFIED

- REF: XXXN-C-P-STR-HP190-PF-SC-20-XXXXXX.

MATERIAL	
FINISH	
NEXT ASSY	USED ON
APPLICATION	

ITEM NO.	QTY REQD	FSCM NO.	PART OR IDENTIFYING NO.	MONICLATURE OR DESCRIPTION	MATERIAL SPECIFICATION	TYPE
PARTS LIST						
UNLESS OTHERWISE SPECIFIED DIMENSIONS ARE IN INCHES TOLERANCES ARE FRACTIONS DECIMALS ANGLES ± .001 ± .005 ± .01 ± .02			CONTRACT NO.			
			SIGNATURES		DATE	
			DRAWN BY G. BISSONNETTE		03/12/01	
			CHECKED BY S. HARSH		01/03/18	
			APPROVED BY S. HARSH		01/03/18	
			APPROVED BY C. MIDNICK		03/03/21	
					5550 E. McDOWELL RD. MESA, ARIZONA 85215 (802) 985-9000	
				N TYPE PLUG TO HP190		
		SIZE B	FSCM NO. 60637	DWG NO. 20511-111	REV B	
		SCALE 2/1	SDM 02-09 (9/89)		SHEET 1 OF 2	