

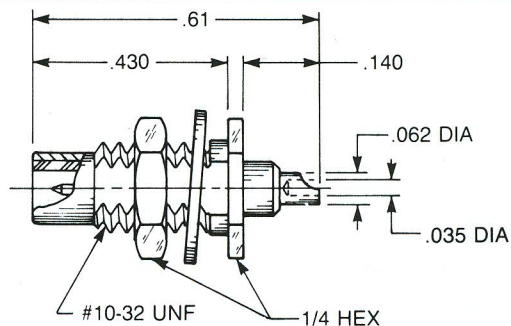
BULKHEAD MOUNTED

Straight Male Bulkhead Jack Receptacle

- Solder pot contact
- Rear mount

1004-1511-000 (Gold plated)
 1004-7511-000 (Nickel plated)

QPL version available (M39012/77)

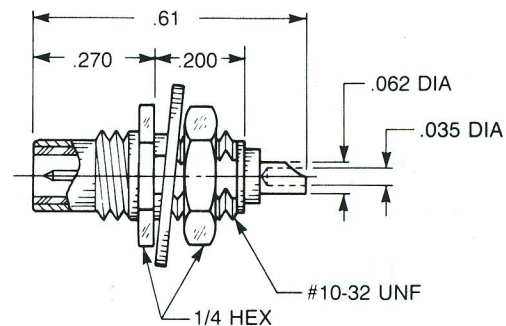


Straight Male Bulkhead Jack Receptacle

- Solder pot contact
- Front mount

1019-1511-000 (Gold plated)
 1019-7511-000 (Nickel plated)

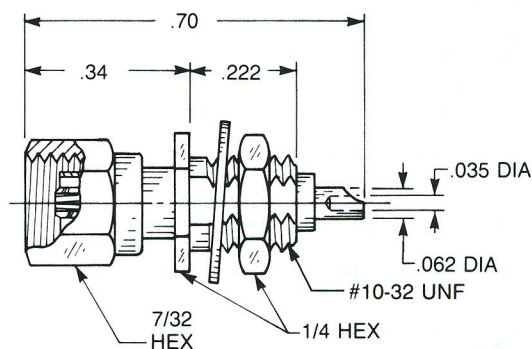
QPL version available (M39012/77)



Straight Female Bulkhead Plug Receptacle

- Solder pot contact
- Front mount

1017-1511-000 (Gold plated)
 1017-7511-000 (Nickel plated)



Right Angle Male Bulkhead Jack Receptacle

- Solder pot contact
- Front mount

1012-1511-000 (Gold plated)
 1012-7511-000 (Nickel plated)

