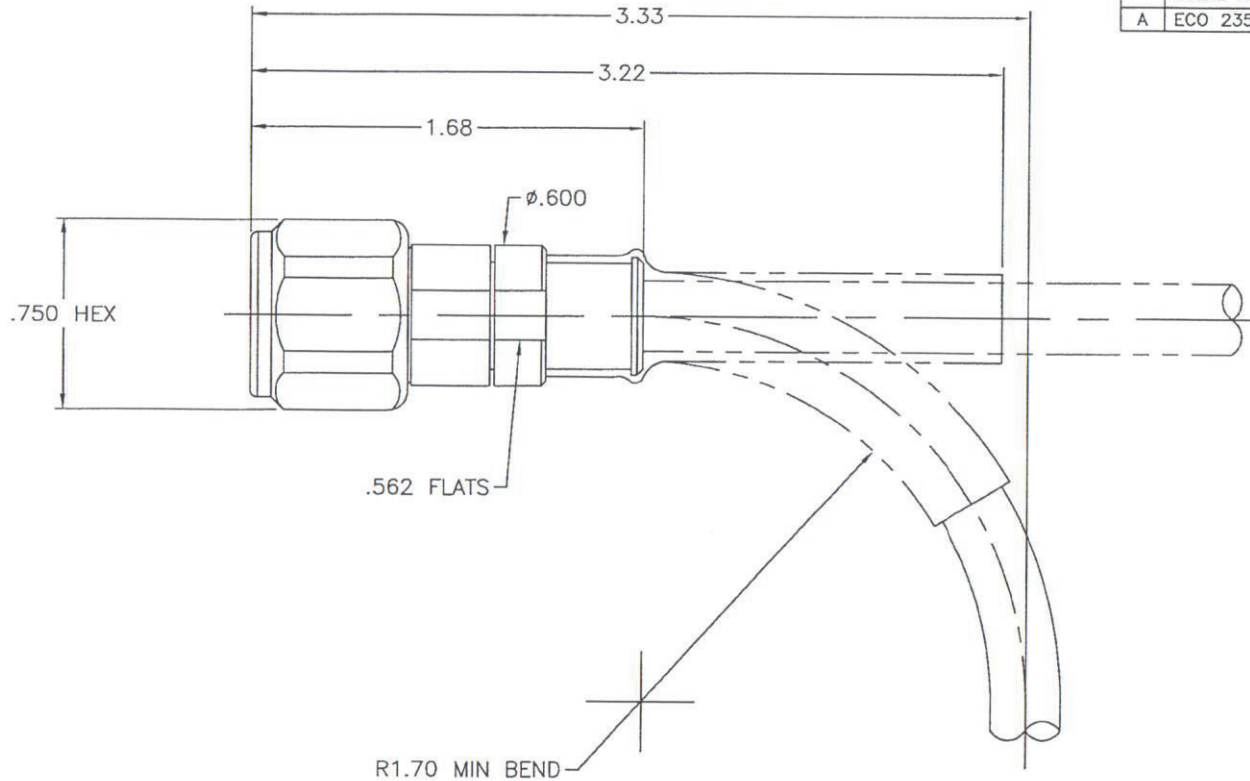


THE INFORMATION CONTAINED HEREON IS THE PROPERTY OF EMERSON NETWORK POWER, RECEIPT, POSSESSION OR TRANSMITTAL OF THIS DRAWING DOES NOT LICENSE OR IMPLY ANY RIGHT TO USE, SELL, PROTOTYPE OR MANUFACTURE FROM THIS INFORMATION. NO REPRODUCTIONS OR PUBLICATION OF THIS INFORMATION, IN WHOLE OR IN PART, SHALL BE MADE WITHOUT WRITTEN AUTHORIZATION FROM EMERSON NETWORK POWER.


DWG NO. 20695-111 SH 1

| REVISIONS | | | |
|-----------|-----------------|---------|-----------|
| REV | DESCRIPTION | DATE | APPROVED |
| - | INITIAL RELEASE | 7/12/01 | L. PULOTU |
| A | ECO 23558 | 8/16/11 | M. CASURA |



NOTES: UNLESS OTHERWISE SPECIFIED.

1. REF: XXXN-C-P-STR-HP305-PF-SC-18-XXXXXX.

| | | | | |
|---------------------------------|---|--|---|-----------------|
| SURFACE AREA (IN ²) | UNLESS OTHERWISE SPECIFIED DIMENSIONS ARE IN INCHES TOLERANCES ARE: | |  Connectivity Solutions | |
| | FRACTIONS ± | DECIMALS xx ± .01 xxx ± .005 xxxx ± | | |
| MATERIAL | SIGNATURES | | DATE | |
| FINISH | DRAWN BY M. BONE | | 95/09/06 | |
| DO NOT SCALE DRAWING | CHECKED BY R. THIELE | | 81/07/02 | |
| | APPROVED BY | | | |
| SCALE 2/1 | | | SIZE B | CAGE CODE 60637 |
| | | | DWG NO. 20695-111 | REV A |
| | | | SHEET 1 OF 2 | |