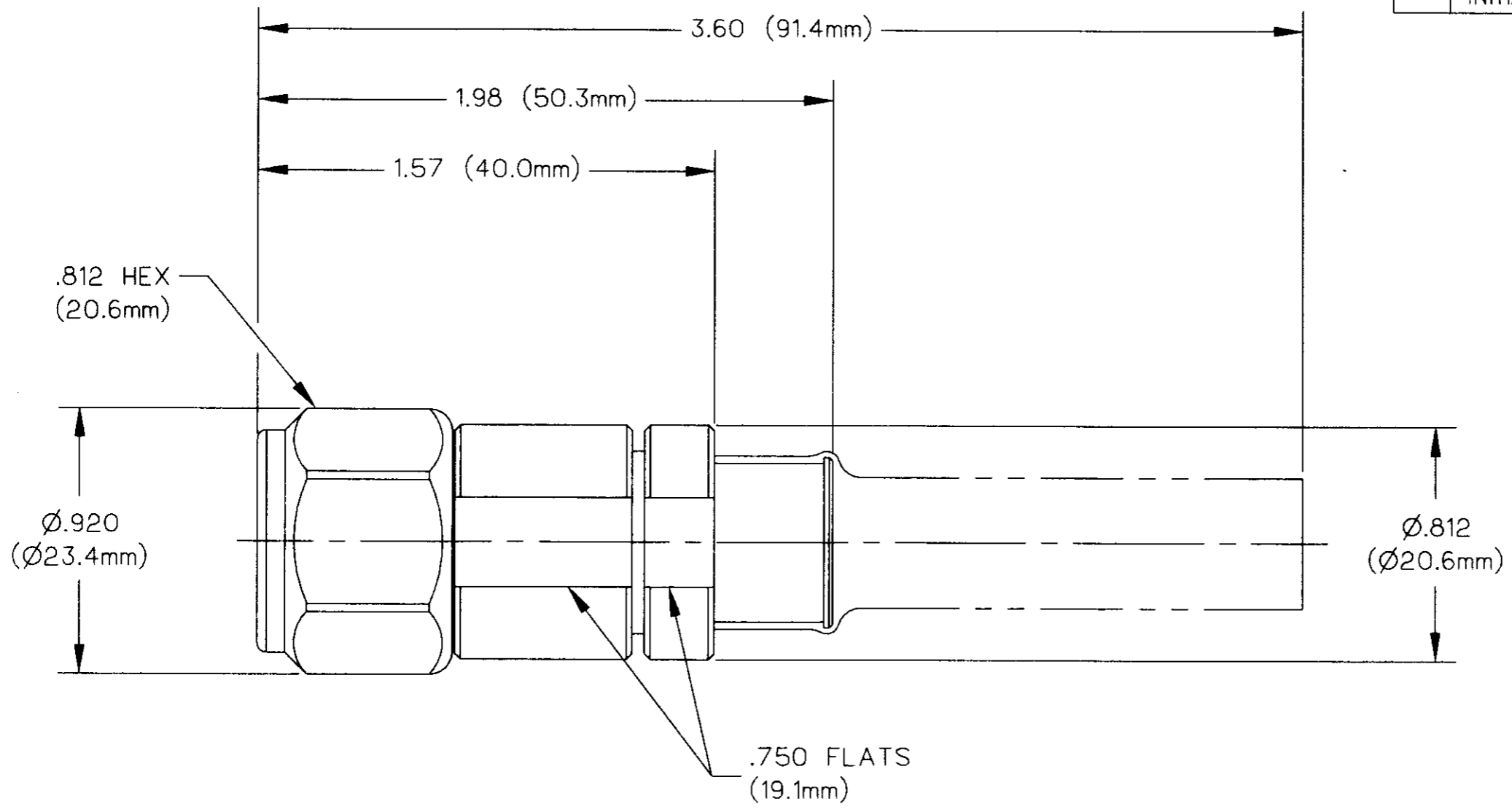


REVISIONS			
REV	DESCRIPTION	DATE	APPROVED
-	INITIAL RELEASE.	7-12-01	<i>[Signature]</i>



- NOTES: UNLESS OTHERWISE SPECIFIED.
 1. REF: XXXN-C-P-STR-HP450-PF-SC-12-XXXXXX.
 2. CABLE MINIMUM INSIDE BEND RADIUS 2.50".

ITEM NO.	QTY REQD	FSCM NO.	PART OR IDENTIFYING NO.	NOMENCLATURE OR DESCRIPTION	MATERIAL SPECIFICATION	TYPE		
PARTS LIST								
UNLESS OTHERWISE SPECIFIED DIMENSIONS ARE IN INCHES TOLERANCES ARE: FRACTIONS DECIMALS ANGLES ± .XX ± .01 ± 2° ± .XXX ± .005			CONTRACT NO.		5550 E. McDOWELL RD. MESA, ARIZONA 85215 (602) 985-9000			
MATERIAL SEE PARTS LIST			SIGNATURES				DATE	
FINISH			DRAWN BY M. BONE				97/05/14	
NEXT ASSY			USED ON		APPROVED BY <i>[Signature]</i> 01/07/02			
APPLICATION			DO NOT SCALE DRAWING		APPROVED BY <i>[Signature]</i> 7/12/01			
		SCALE		FSCM NO.		REV		
		2/1		60637		-		
				DWG NO.				
				20572-111				
				ENF13 (02/14/97)		SHEET 1 OF 2		