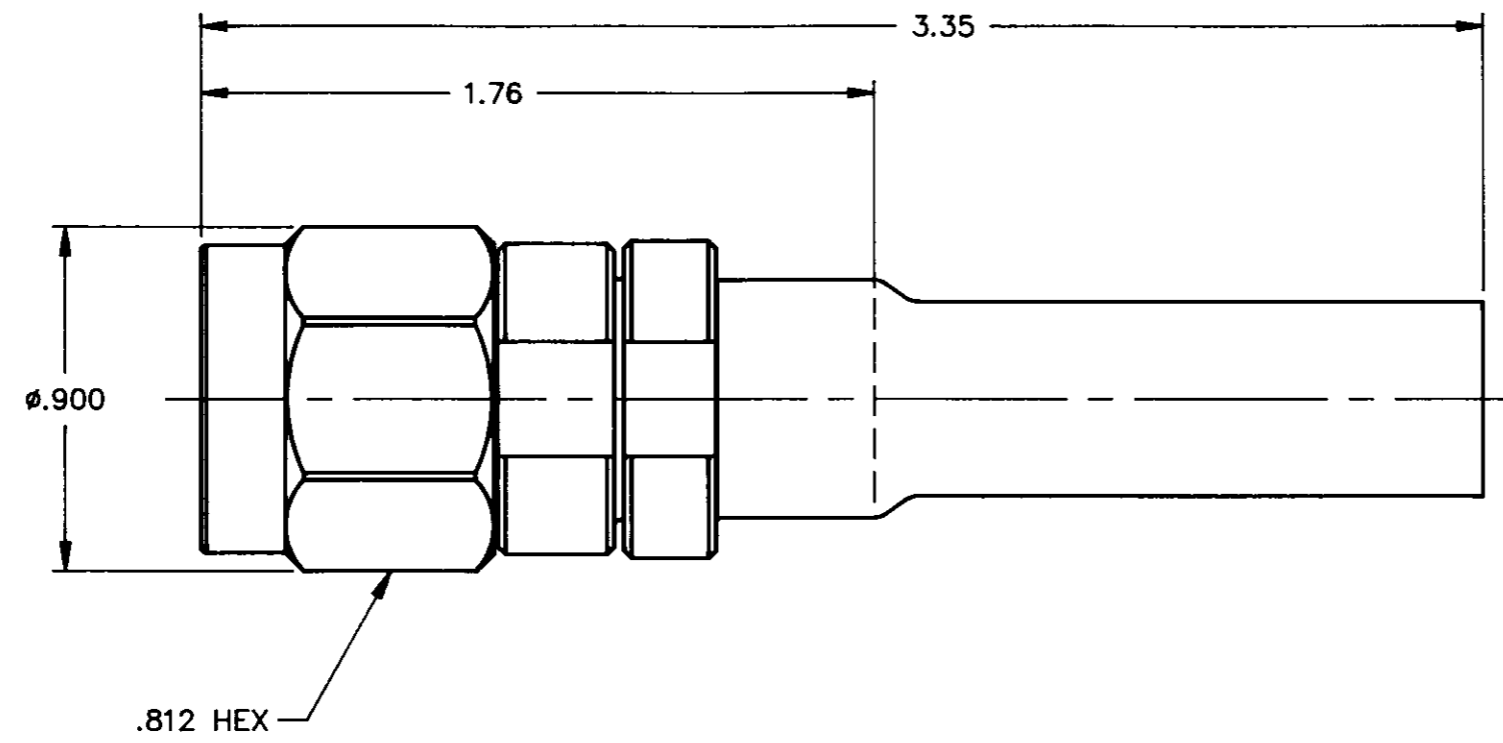



REVISIONS			
REV	DESCRIPTION	DATE	APPROVED
-	INITIAL RELEASE.	93/07/14	R. Palota



NOTE:

1. REF: XXSC-C-P-STR-HP450-PF-SC-11-XXXXXX.
2. CABLE MIN INSIDE BEND RADIUS 2.50".

NEXT ASSY	USED ON

ITEM NO.	QTY REQD	FSCM NO.	PART OR IDENTIFYING NO.	NOMENCLATURE OR DESCRIPTION	MATERIAL SPECIFICATION	TYPE								
PARTS LIST														
UNLESS OTHERWISE SPECIFIED DIMENSIONS ARE IN INCHES TOLERANCES ARE:			CONTRACT NO.		 Semflex Inc 5550 E. McDOWELL RD. MESA, ARIZONA 85205									
FRACTIONS	DECIMALS	ANGLES	SIGNATURES				DATE							
±	.XX ± .01	± 2°	DRAWN BY G. BISSONNETTE		93/07/12	SC PLUG STRAIGHT TO HP450								
	.XXX ± .005		CHECKED BY R. THIELE		93-07-13									
			APPROVED BY R. THIELE		93-07-13									
MATERIAL			APPROVED BY G. W. Remerick		93-07-13	<table border="1"> <tr> <td>SIZE</td> <td>FSCM NO.</td> <td>DWG NO.</td> <td>REV</td> </tr> <tr> <td>B</td> <td>60637</td> <td>20579-111</td> <td>-</td> </tr> </table>	SIZE	FSCM NO.	DWG NO.	REV	B	60637	20579-111	-
SIZE	FSCM NO.	DWG NO.	REV											
B	60637	20579-111	-											
FINISH			DO NOT SCALE DRAWING		SCALE 2/1	<table border="1"> <tr> <td>SEM 02-09 (9/89)</td> <td>SHEET 1 OF 2</td> </tr> </table>	SEM 02-09 (9/89)	SHEET 1 OF 2						
SEM 02-09 (9/89)	SHEET 1 OF 2													