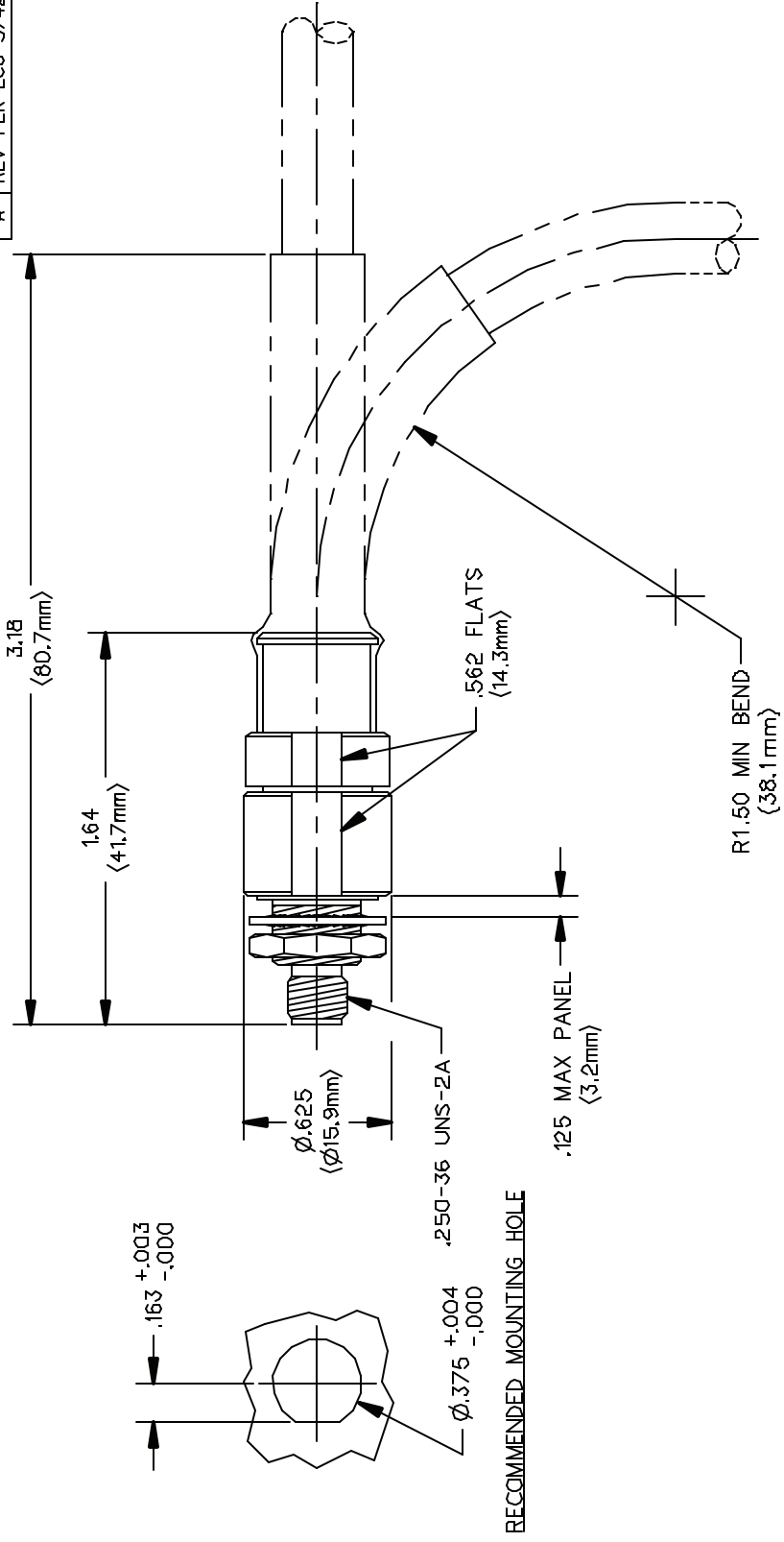


DWG NO. 21042-111 SH 1 REV. A

REVISIONS			
REV	DESCRIPTION	DATE	APPROVED
-	INITIAL RELEASE	3/2/01	NAVARETTE
A	REV PER ECO 5742	9/27/	NAVARETTE



NOTES: UNLESS OTHERWISE SPECIFIED,
 1. REF: XSMA-C-J-BHD-LA290-PF-SC-18-XXXXXXX.

ITEM NO.	QTY REQD.	FSM INCL.	PART OR IDENTIFYING NO.	DESCRIPTION	MATERIAL DESCRIPTION	TYPE
PARTS LIST						
UNLESS OTHERWISE SPECIFIED DIMENSIONS ARE IN INCHES TOLERANCES ARE: FRACTIONS DECIMALS ANGLES		CONTRACT NO.		5550 E. MAXWELL RD. MESA, ARIZONA 85215 (602) 965-8000		
FRACTIONS .XX ± .005		DRAWN BY		DATE		
DECIMALS .XX ± .01		D. SMITH		01/02/00		
ANGLES .XX ± .005		CHECKED BY		DATE		
		B. CHATT		01/02/22		
MATERIAL SEE PARTS LIST		APPROVED BY		DATE		
FINISH		B. CHATT		01/02/22		
DO NOT SCALE DRAWING		APPROVED BY		DATE		
APPLICATION		N. GERBER		01/02/23		
NEXT ASBY		USED ON		SCALE 2/1		
				ENR13 (02/14/97)		
				SHEET 1 OF 2		

Semtex Inc
 SMA BLKHD JACK TO LA290

SIZE FROM NO. B 60637 DWG NO. 21042-111 REV. A
 SCALE 2/1 ENR13 (02/14/97) SHEET 1 OF 2