

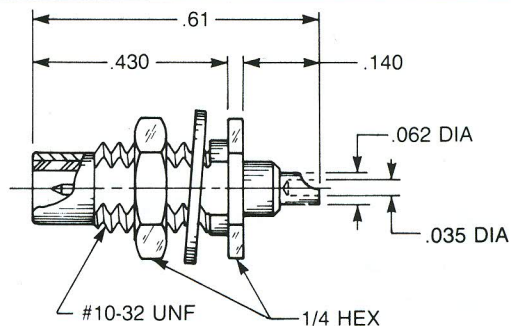
**BULKHEAD MOUNTED**

**Straight Male Bulkhead Jack Receptacle**

- Solder pot contact
- Rear mount

1004-1511-000 (Gold plated)  
1004-7511-000 (Nickel plated)

QPL version available (M39012/77)

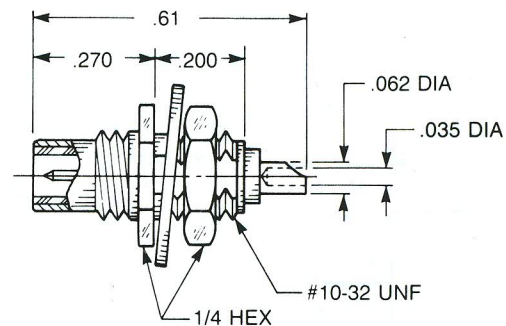


**Straight Male Bulkhead Jack Receptacle**

- Solder pot contact
- Front mount

1019-1511-000 (Gold plated)  
1019-7511-000 (Nickel plated)

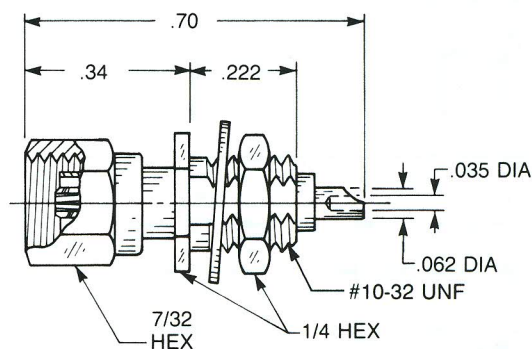
QPL version available (M39012/77)



**Straight Female Bulkhead Plug Receptacle**

- Solder pot contact
- Front mount

1017-1511-000 (Gold plated)  
1017-7511-000 (Nickel plated)



**Right Angle Male Bulkhead Jack Receptacle**

- Solder pot contact
- Front mount

1012-1511-000 (Gold plated)  
1012-7511-000 (Nickel plated)

