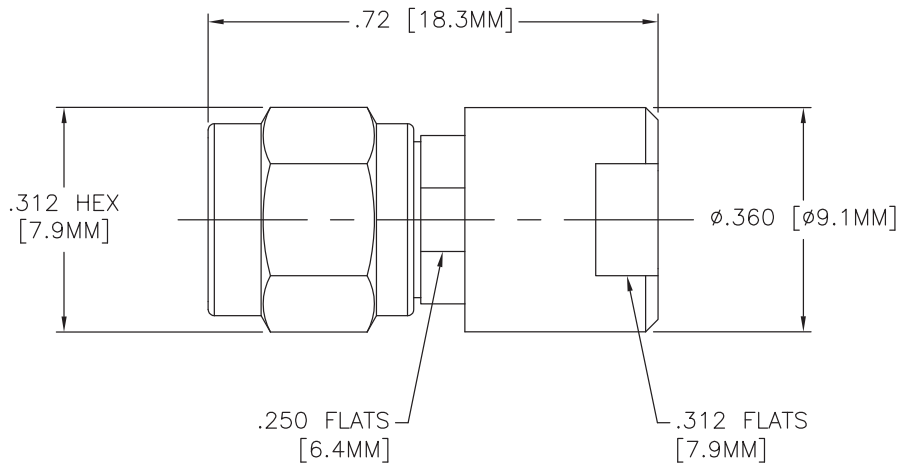


THE INFORMATION CONTAINED HEREON IS THE PROPERTY OF EMERSON NETWORK POWER, RECEIPT, POSSESSION OR TRANSMITTAL OF THIS DRAWING DOES NOT LICENSE OR IMPLY ANY RIGHT TO USE, SELL, PROTOTYPE OR MANUFACTURE FROM THIS INFORMATION. NO REPRODUCTIONS OR PUBLICATION OF THIS INFORMATION, IN WHOLE OR IN PART, SHALL BE MADE WITHOUT WRITTEN AUTHORIZATION FROM EMERSON NETWORK POWER.

DWG NO. SMA106PF SH 1

REVISIONS			
REV	DESCRIPTION	DATE	APPROVED
-	INITIAL RELEASE	12/20/95	R. JOHNSON
A	REV PER ECO 4718	5/16/97	R. JOHNSON
B	REV PER ECO 4816	7/10/97	R. JOHNSON
C	REV PER ECO 5739		
D	REV PER ECO 5738	12/20/95	R. JOHNSON
E	REV PER ECO 7273	11/28/05	MCINTYRE
F	ECO 22506	6/8/10	S.M. LI



- NOTES: UNLESS OTHERWISE SPECIFIED.  
 1. REF: XSMA-C-P-STR-SW110-PF-SC-18-COMMXXX.  
 2. CABLE MINIMUM INSIDE BEND RADIUS 1.00"

UNLESS OTHERWISE SPECIFIED  
 DIMENSIONS ARE IN INCHES  
 TOLERANCES ARE:  
 FRACTIONS DECIMALS ANGLES  
 ± .XX ± .01 ± 2°  
 .XXX ± .005  
 .XXXX ±



SIGNATURES	DATE	SMA SIDEWINDER TO SW110	
DRAWN BY C. WALLACE		SIZE B	CAGE CODE 60637
CHECKED BY		DWG NO. SMA106PF	REV F
APPROVED BY		SCALE 5:1	SHEET 1 OF 2
APPROVED BY			