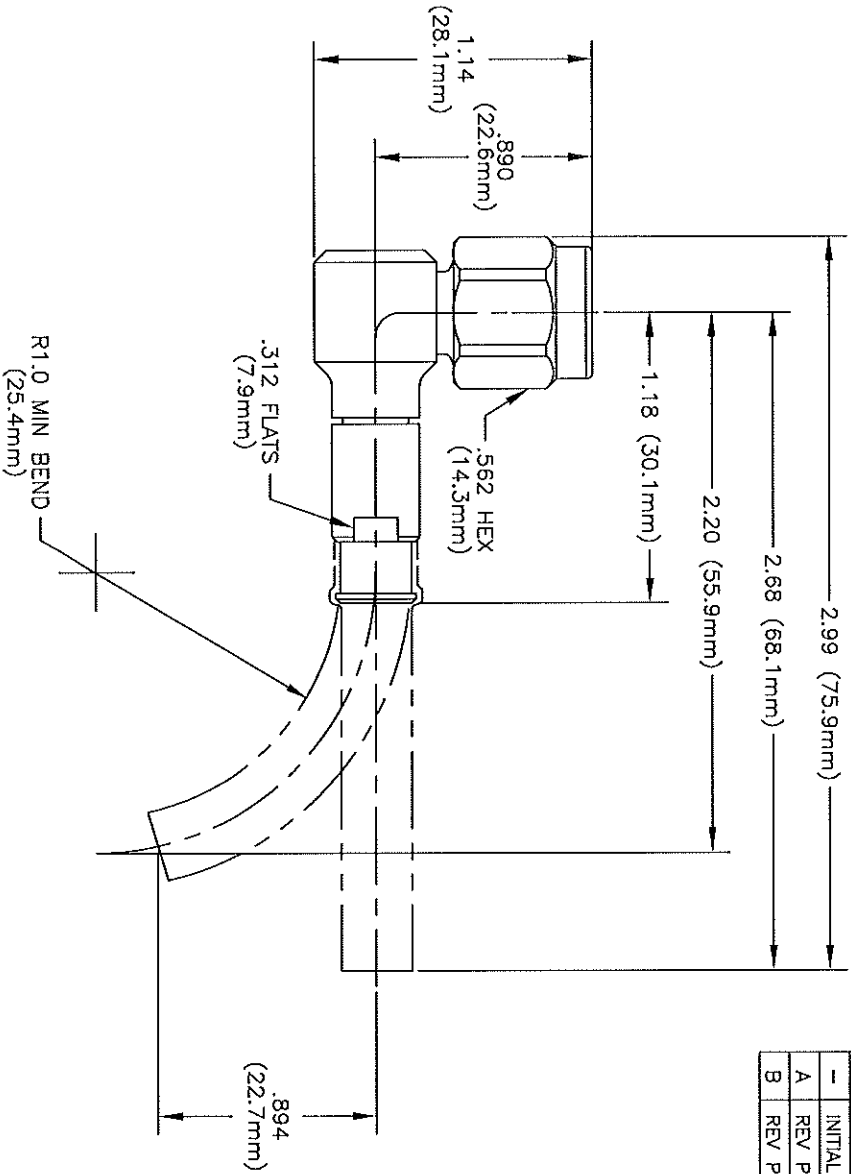


DWG NO. 20500-111 SH 1 REV. B

REVISIONS			
REV	DESCRIPTION	DATE	APPROVED
-	INITIAL RELEASE.		
A	REV PER ECO 3823.	94/07/27	L. PULOTU
B	REV PER ECO 4067.	95/03/27	B. NOTHUM



NOTES: UNLESS OTHERWISE SPECIFIED,  
 1. REF: XTNC-C-P-LRA-HP190-PF-SC-16-XXXXXX.

UNLESS OTHERWISE SPECIFIED DIMENSIONS ARE IN INCHES FRACTIONS DECIMALS ANGLES # .XX ± .01 ± 2° # .XXX ± .005	MATERIAL SEE PARTS LIST	FINISH	DO NOT SCALE DRAWING
CONTRACT NO.	SIGNATURES	DATE	
DRAWN BY M. BONE	95/05/01		
CHECKED BY G. BOOZE	95/08/12		
APPROVED BY S. HARDIN	95/09/13		
APPROVED BY B. THOMPSON	95/09/20		

ITEM NO.	QTY	FSCM NO.	PART OR IDENTIFYING NO.	NONCLOUTURE OR DESCRIPTION	MATERIAL SPECIFICATION	TYPE
PARTS LIST						
TNC MRA PLUG TO HP190						
SCALE	2/1	SEM	02-09 (9/89)	SHEET	1	OF 2