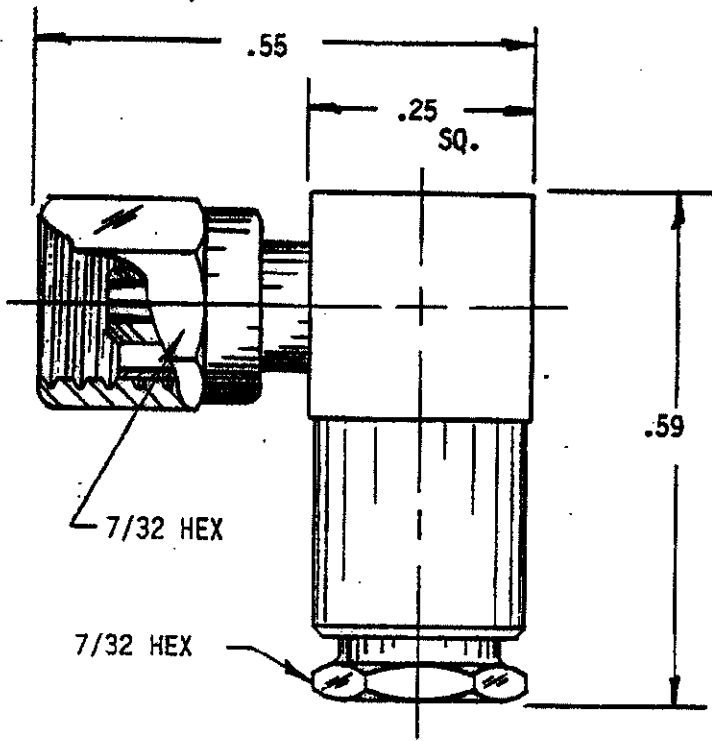


REVISIONS			
LTR	DESCRIPTION	DATE	APPROVED



CONFORMS TO MIL-C-39012/75-0004

MATERIAL:

CONTACT = BERYLLIUM COPPER, PER ASTM B196.
 ALL OTHER METAL PARTS = BRASS 1/2 HARD, PER ASTM B16, ALLOY 360.
 INSULATOR = TEFLON, VIRGIN WHITE, PER ASTM D1710.

FINISH:

CONTACT = GOLD PLATE PER MIL-G-45204, TYPE II, CLASS 1, GRADE C, OVER STRESS FREE NICKEL PER QQ-N-290.
 BODY = GOLD PLATE PER MIL-G-45204, TYPE II, CLASS I, GRADE C, OVER COPPER STRIKE PER MIL-C-14550.
 ALL OTHER METAL PARTS = GOLD PLATE PER MIL-G-45204, TYPE II, CLASS 0, GRADE C, OVER COPPER STRIKE PER MIL-C-14550.

UNLESS OTHERWISE SPECIFIED DIMENSIONS ARE IN INCHES TOLERANCES ON		
FRAC. 1/64	DECIMAL ± .001	ANGLES ± 2°
MATERIAL: SEE ABOVE		

DRAWN VPS	DATE 2-25-94
CHECKED <i>[Signature]</i>	DATE 3/3/94
APPROVED D.N.	DATE 3/11/94
FINISH: SEE ABOVE	

APPLIED ENGINEERING PRODUCTS 104 John W. Murphy Drive, P.O. Box 510 New Haven, CT 06513		
SMC RIGHT ANGLE FEMALE CLAMP TYPE CABLE PLUG FOR USE WITH RG-316, 188, 187, 174, AND 179 CABLES		
SIZE A	CODE IDENT NO. 19505	1005-1551-903
SCALE	REV. B	SHEET OF

Design Products Co. Clearprint #1000H