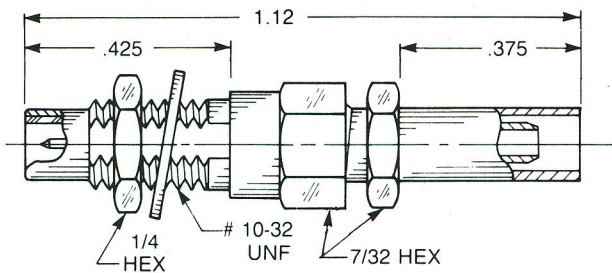


### Straight Male Bulkhead Cable Jack

Clamp type for flexible cable:  
**1003-1551-0XX** (Gold plated)  
**1003-7551-0XX** (Nickel plated)

Solder-clamp for semi-rigid cable:  
**1003-1541-0XX** (Gold plated)  
**1003-7541-0XX** (Nickel plated)

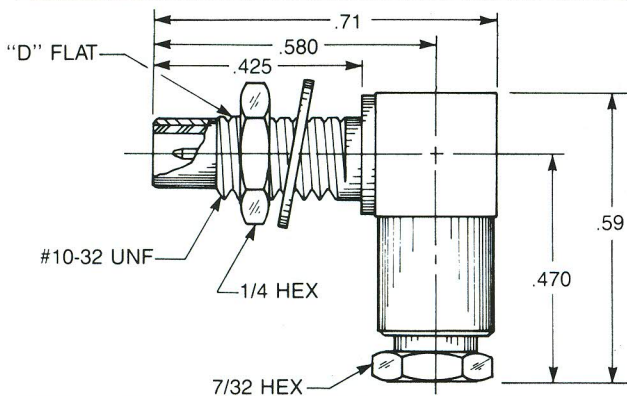
QPL version available (M39012/76)



### Straight Male Bulkhead Cable Jack

Crimp type for flexible cable:  
**1003-1571-0XX** (Gold plated)  
**1003-7571-0XX** (Nickel plated)

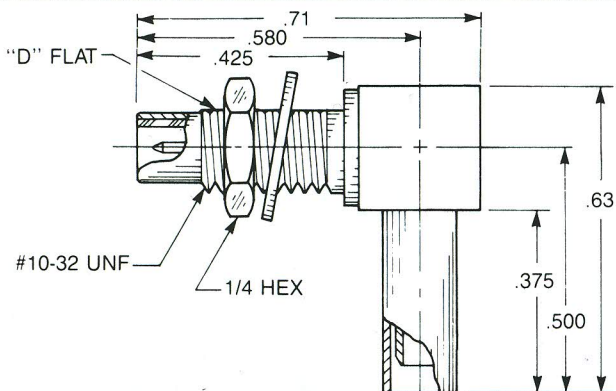
QPL version available (M39012/76)



### Bulkhead Mounted Right Angle Male Cable Jack

Clamp type for flexible cable:  
**1006-1551-0XX** (Gold plated)  
**1006-7551-0XX** (Nickel plated)

Solder-clamp for semi-rigid cable:  
**1006-1541-0XX** (Gold plated)  
**1006-7541-0XX** (Nickel plated)



### Bulkhead Mounted Right Angle Male Cable Jack

Crimp type for flexible cable:  
**1106-1521-0XX** (Gold plated)  
**1106-7521-0XX** (Nickel plated)

Substitute the appropriate cable group for 'XX':	
02	RG178, RG196, M17/93, M17/169
03	RG174, RG179, RG316, M17/113, M17/119, M17/172, M17/173
05	RG178DS, RG196DS
09	.141" semi-rigid, RG402, M17/130
10	.085" semi-rigid, RG405, M17/133
19	RG174DS, RG316DS, M17/152, Times RD316

Designed for use with .093" max thick panel  
 See page 143 for D flat location in relation to hex.

**AEP** New Haven, CT  
 203/776-2813

