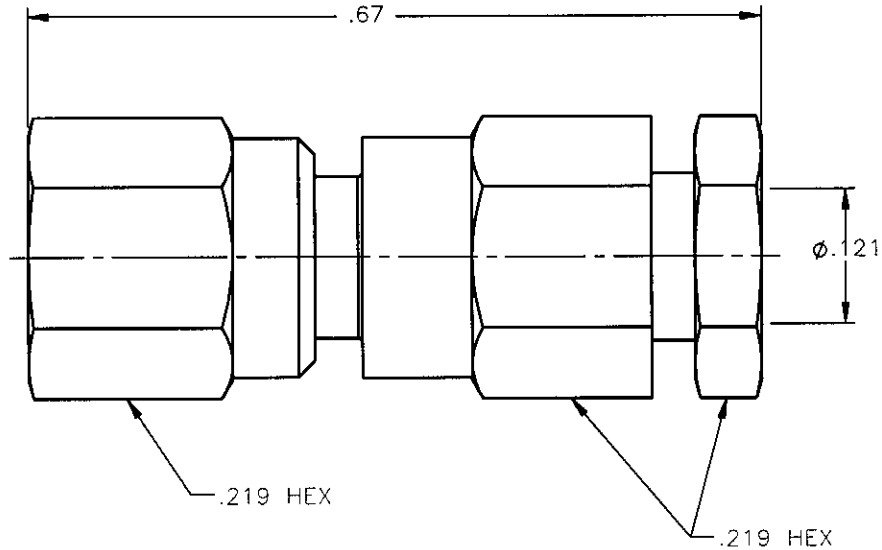


PROPRIETARY INFORMATION
 NOT TO BE RELEASED
 WITHOUT WRITTEN PERMISSION
 FROM AN AUTHORIZED
 REPRESENTATIVE OF
 APPLIED ENGINEERING PRODUCTS

REVISION			
REV	DESCRIPTION	DATE	APPROVED
A	INITIAL RELEASE	11/21/07	K.P.





NOTES:

MATERIALS:

1. CONTACT = BERYLLIUM COPPER PER ASTM B196, ALLOY C17300, TEMPER TD04.
2. INSULATORS = VIRGIN WHITE TEFLON PER ASTM D1710, GRADE 1, TYPE I, CLASS "B".
3. ALL OTHER METAL PARTS = BRASS PER ASTM B16, ALLOY C36000, TEMPER H02.

FINISHES:

1. CONTACT = GOLD PLATE PER MIL-G-45204, TYPE II, CLASS 1, GRADE C, OVER .00010 TO .00020 STRESS FREE SULFAMATE NICKEL PER QQ-N-290.
2. ALL OTHER METAL PARTS = NICKEL PLATE PER QQ-N-290, CLASS 1, GRADE G, EXCEPT .0001 TO .0002 THICK OVER .00005 TO .0001 THICK COPPER PER MIL-C-14550

UNLESS OTHERWISE SPECIFIED DIMENSIONS ARE IN INCH TOLERANCES ON		DWN: K PADRO	DATE: 11/21/07	 APPLIED ENGINEERING PRODUCTS 104 John W. Murphy Dr. New Haven, CT 06513 RADIALL company	
		CHKD: D NACLERIO	DATE: 11/21/07		
DECIMAL	ANGLE	APVD: J MASTRIANO	DATE: 11/21/07	SMC STRAIGHT FEMALE PLUG CLAMP TYPE FOR RG-316 & SIMILAR CABLE	
WEIGHT/MASSE (g): 2.15		MATERIALS & FINISHES: SEE NOTES			SIZE: A FSCM NO.: 19505 DWG NO.: 1002-7551-003 REV: A
SURFACE (cm ²): 10.27		SCALE: 6:1			THIRD ANGLE PROJECTION  SHEET 1 OF 1