

RoHS 6 COMPLIANT

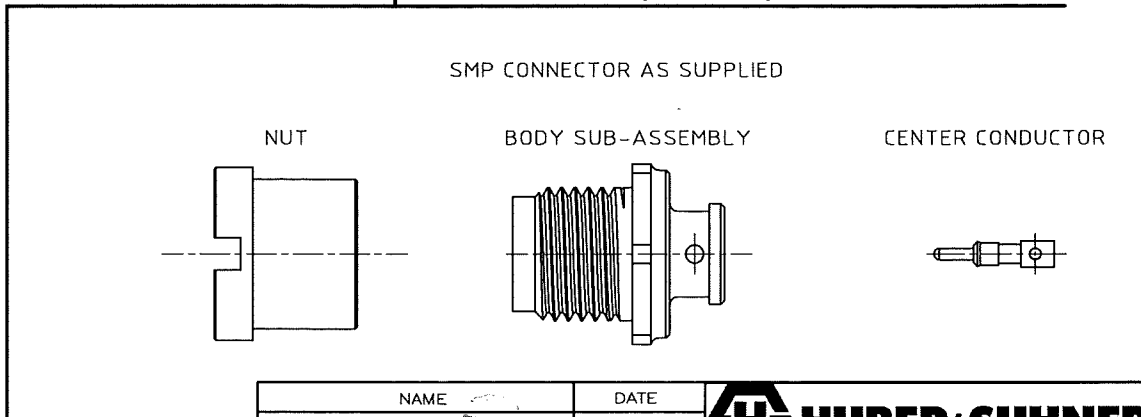
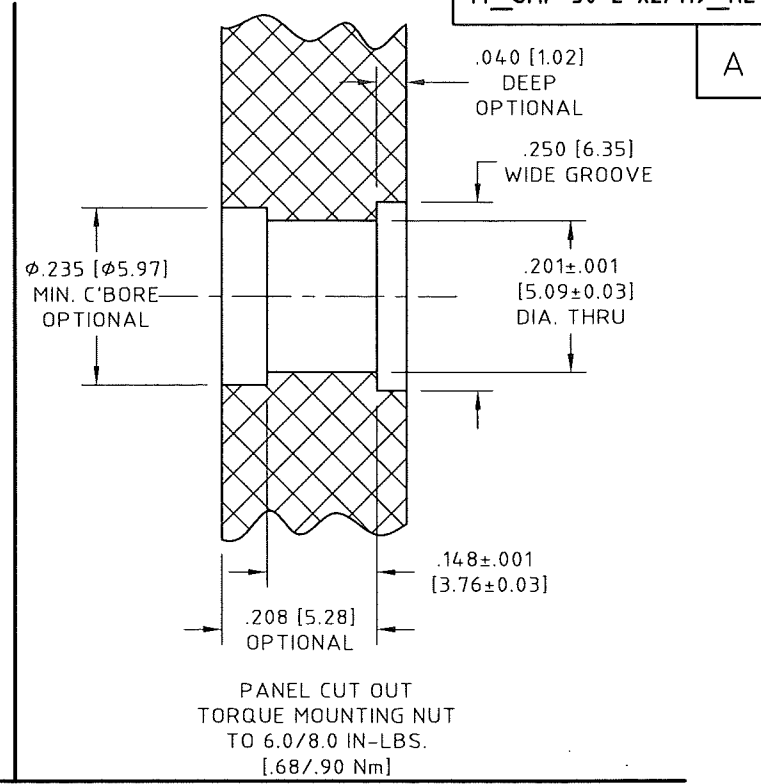
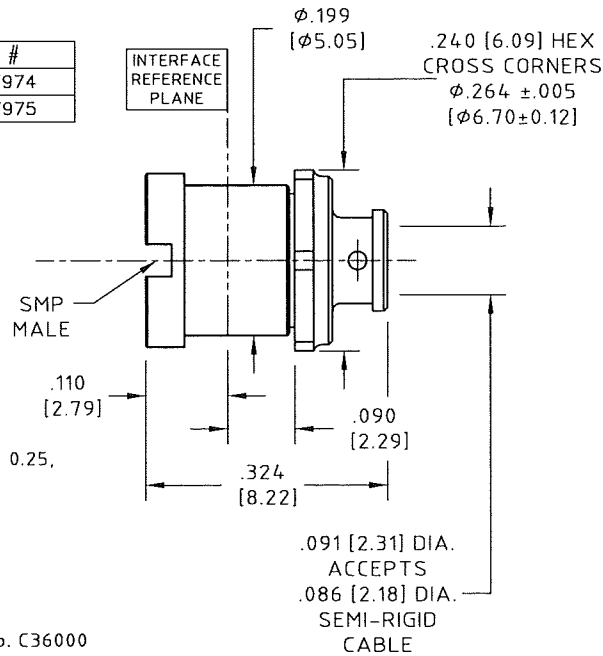
CONTROL DRAWING

14_SMP-50-2-x2/119_NE

DETENT	P/N	SAP #
LIMITED DETENT	14_SMP-50-2-L2/119_NE	80377974
SMOOTH BORE	14_SMP-50-2-S2/119_NE	80377975

NOTES:

- DESCRIPTION
CONNECTOR, SMP MALE FOR
Ø.086 [Ø2.18] SEMI-RIGID CABLE.
- MATERIALS AND FINISHES
CENTER CONDUCTOR,
BERYLLIUM COPPER ALLOY PER ASTM B-196,
UNS No. C17300, TEMPER TD04(H),
GOLD PLATED 4 µIN. [0.1 µM] MIN. THK.
PER ASTM B-488, CODE C, TYPE I, CLASS 0.25,
OVER
NICKEL PLATE, 80 µIN. [2.0 µM] MIN. THK.
PER ASTM B-733, TYPE V, CLASS 3,
OVER
COPPER FLASH, 4 µIN. [0.1 µM] MIN. THK.
PER SAE-AMS-2418.
BODY, AND NUT,
BRASS, FREE CUTTING, PER ASTM B-16 UNS No. C36000
UNS No. C17300, TEMPER TD04(H),
GOLD PLATED 4 µIN. [0.1 µM] MIN. THK.
PER ASTM B-488, CODE C, TYPE I, CLASS 0.25,
OVER
NICKEL PLATE, 80 µIN. [2.0 µM] MIN. THK.
PER ASTM B-733, TYPE V, CLASS 3,
OVER
COPPER FLASH, 4 µIN. [0.1 µM] MIN. THK.
PER SAE-AMS-2418.
DIELECTRIC,
POLYTETRAFLUOROETHYLENE (PTFE) PER ASTM D-1710,
OR ASTM D-4894, TYPE I, GRADE 1.
- ELECTRICAL CHARACTERISTICS:
IMPEDANCE
50.0 Ohms NOMINAL.
FREQUENCY
40.0 GHz MAX.
- CONNECTOR MEETS MIL-STD-348 AND
DSCC SPECIFICATION 94008.
- OPERATING TEMPERATURE RANGE
-55° C TO +125° C
- ATTACHMENT METHOD,
CENTER CONDUCTOR,
SOLDERED
OUTER CONDUCTOR,
SOLDERED.



METRIC TOLERANCE			
DIMENSION		TOLERANCE	
INCHES	MM	INCHES	MM
.X	[X.]	±.015	[±0.5]
.XX	[X.X]	±.010	[±0.3]
.XXX	[X.XX]	±.002	[±0.05]
.XXXX	[X.XXX]	±.0005	[±0.013]

UNLESS OTHERWISE SPECIFIED
CONCENTRICITY .004 T.I.R.
CORNERS AND FILLETS .005
MAX. RADIUS OR CHAMFER.
SURFACE FINISH 63 RMS
MICROINCHES OR BETTER.

FRACTIONS	± 1/16
X	± .030
XX	± .015
XXX	± .005
ANGLES	± 1°
DO NOT SCALE DRAWING	

NAME	DATE
PREP. SO ENG 07	02/16/16
ELEC.	
MECH.	
Q.C.	

HUBER+SUHNER
Astrolab

THIS DRAWING CONTAINS PATENTABLE AND PROPRIETARY INFORMATION. THE DESIGN CANNOT BE USED WITHOUT WRITTEN PERMISSION OF HUBER + SUHNER ASTROLAB.

TITLE
CONNECTOR, SMP MALE TO H+S ASTROLAB 38000 & .086 DIA. CABLE

REV.	DESCRIPTION	DATE	BY	APPROVED	THDS. TO BE IN ACCORD WITH U.S. DEPT. OF COMM. SCREW THD. STDS. FOR FEDERAL SERVICES 1950 SUPL. TO HANDBOOK H 28.	SCALE	CODE IDENT.	DWG NO.	REV
A	ECN No. 17879	02/16/16	ENG 07	[Signature]	4:1	16301	14_SMP-50-2-x2/119_NE	A	