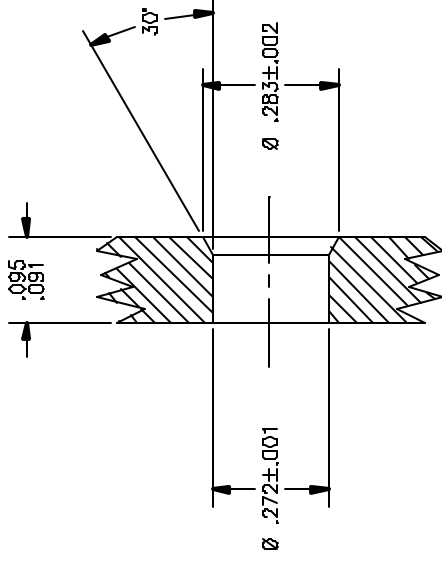


ZONE	REV	DESCRIPTION	DATE	BY
-	H	ECO 12735	03/05/01	HDB
-	J	ECO 13830 (-9CC, -10CC)	10.18.01	ATV
-	K	ECO 15587	05.05.03	APS



RECOMMENDED  
MOUNTING PANEL

DRAWING NO. P658

REV. K

P/N	APPLICABLE NOTE(S)	(Ø A)	CABLE TYPE(S)	FIGURE(S)
-1CC	1,2,3,4,5,6,7	.083	UFF .082A	1
-2CC	1,2,3,4,5,6,7	.080	RG316/U	1
-3CC	1,2,3,4,5,6,7	.080	TFLEX 405HF	1
-4CC	1,2,3,4,5,6,7	.090	MICROFLEX Ø .095	1
-5CC	1,2,3,4,5,6,7	.090	Ø .085 S/R	1
-6CC	1,2,3,4,5,6,7	.083	UFF .082A	2
-7CC	1,2,3,4,5,6,7	.080	RG316/U	2
-8CC	1,2,3,4,5,6,7	.080	TFLEX 405HF	2
-9CC	1,2,3,4,5,6,7	.090	MICROFLEX Ø .095	2
-10CC	1,2,3,4,5,6,7	.090	Ø .085 S/R	2

NOTE(S):

- MATERIAL(S):
  - BODY, CONTACT, SNAP RING & SPRING: BeCu ALLOY PER ASTM B-196
  - INSERT & WASHER: 303 SST PER ASTM A-582
  - RETAINING RING: 304 SST PER AMS 5370
  - INSULATOR: PTFE PER ASTM D-1710
  - DIELECTRIC STRAP: POLYETHEREKEYTONE
- FINISH(S):
  - BODY, CONTACT, SNAP RING & SPRING: GOLD PLATE PER ASTM B-488 OVER NICKEL PLATE PER AMS-QQ-N-290
  - INSERT AND RETAINING: PASSIVATE PER ASTM A-967
  - INSULATOR & DIELECTRIC STRAP: NONE
- ELECTRICAL PERFORMANCE:
  - FREQUENCY RANGE: DC-18GHZ
  - R.F. INSERTION LOSS: 0.25dB Max to 18GHZ
  - VSWR: 1.2D:1 Max to 18GHZ
- MAX FLOAT
  - AXIAL: .040 INCH
  - RADIAL: ±.020 INCH
- SPRING RATE
  - 38.5 LBS/INCH
- SPRING FORCE
  - FRE-LOAD: 0.81 LBS
  - .035 COMPRESSION: 2.15 LBS
  - .125 COMPRESSION: 5.6 LBS
- ASSEMBLY INSTRUCTIONS PER DRAWING NUMBERS AI-297 & AI-331.

**TOLERANCES AND NOTES EXCEPT AS NOTED DIMENSIONS ARE IN INCHES**  
 LINEAR .XX, .XXX, ANGULAR ± 1/2°  
 ROUNDED ± 1/32"  
 1. MACHINE FINISH: 63/RMS  
 2. DEBUR ALL SHARP EDGES AND MAX.  
 3. MACHINED SURFACES: 0.05 MAX. SURFACE  
 4. MAX PERM. ALLOWABLE PER INCH.  
 5. MAXIMUM WALKERS CONCENTRATED WITHIN  
 6. DIMENSIONS TO BE MET BEFORE PLATING  
 7. DIMENSIONS TO BE MET AFTER PLATING  
 8. TOLERANCES TO BE MET  
 9. DIMENSIONS TO BE MET  
 10. DIMENSIONS TO BE MET

**NOTICE**  
 THE DRAWING NUMBER IS A KEY TO THE DRAWING. IT IS THE RESPONSIBILITY OF THE USER TO VERIFY THAT THE DRAWING NUMBER IS CORRECT AND THAT THE DRAWING IS THE LATEST REVISION. THE USER IS RESPONSIBLE FOR OBTAINING THE LATEST REVISION OF THE DRAWING. THE USER IS RESPONSIBLE FOR OBTAINING THE LATEST REVISION OF THE DRAWING. THE USER IS RESPONSIBLE FOR OBTAINING THE LATEST REVISION OF THE DRAWING.

SEE NOTE(S)	SIZE	DESCRIPTION	REVISION
-	-	-	-
-	-	HIGH PERFORMANCE CABLES & INTERCONNECT SYSTEMS Leto, Elmhurst, California 90016	REVISION
-	-	SMR FEMALE FLOAT MOUNT STRAIGHT TO CABLE (.093 PANEL THK.)	REVISION
-	-	NONE - QLPXX	REVISION
-	-	C 50990	REVISION

REV.	DATE	BY
K	05/07/03	TH
1	05/07/03	TH
2	05/07/03	TH
K	05/07/03	TH

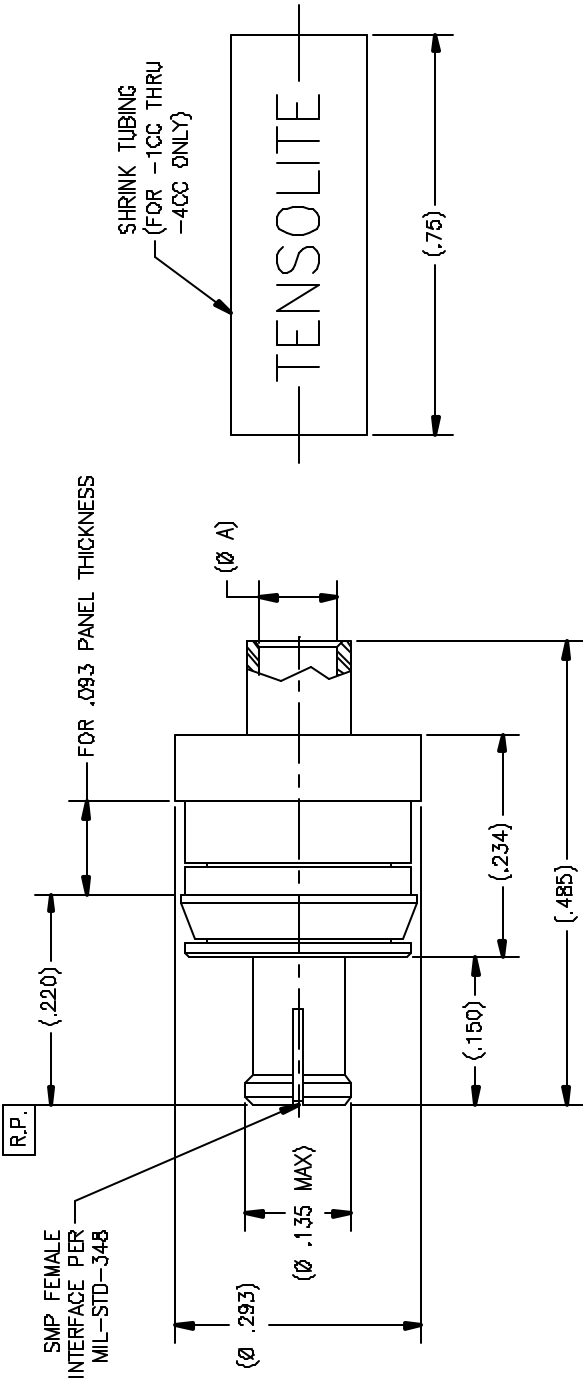


FIG. 1

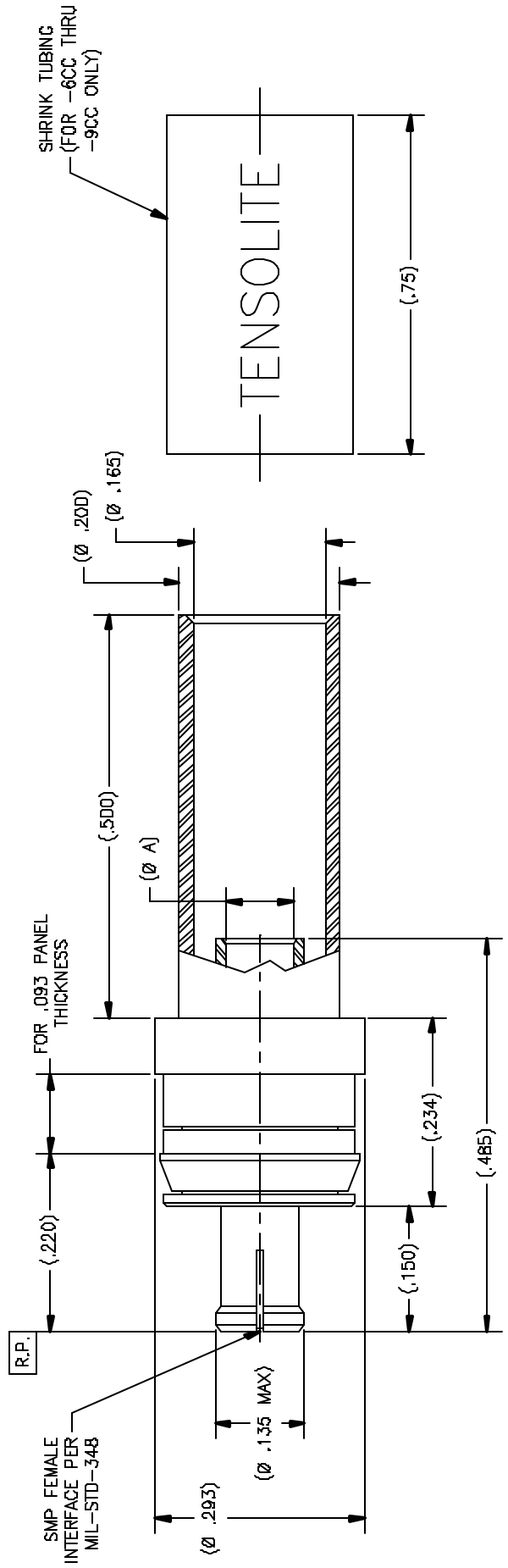


FIG. 2