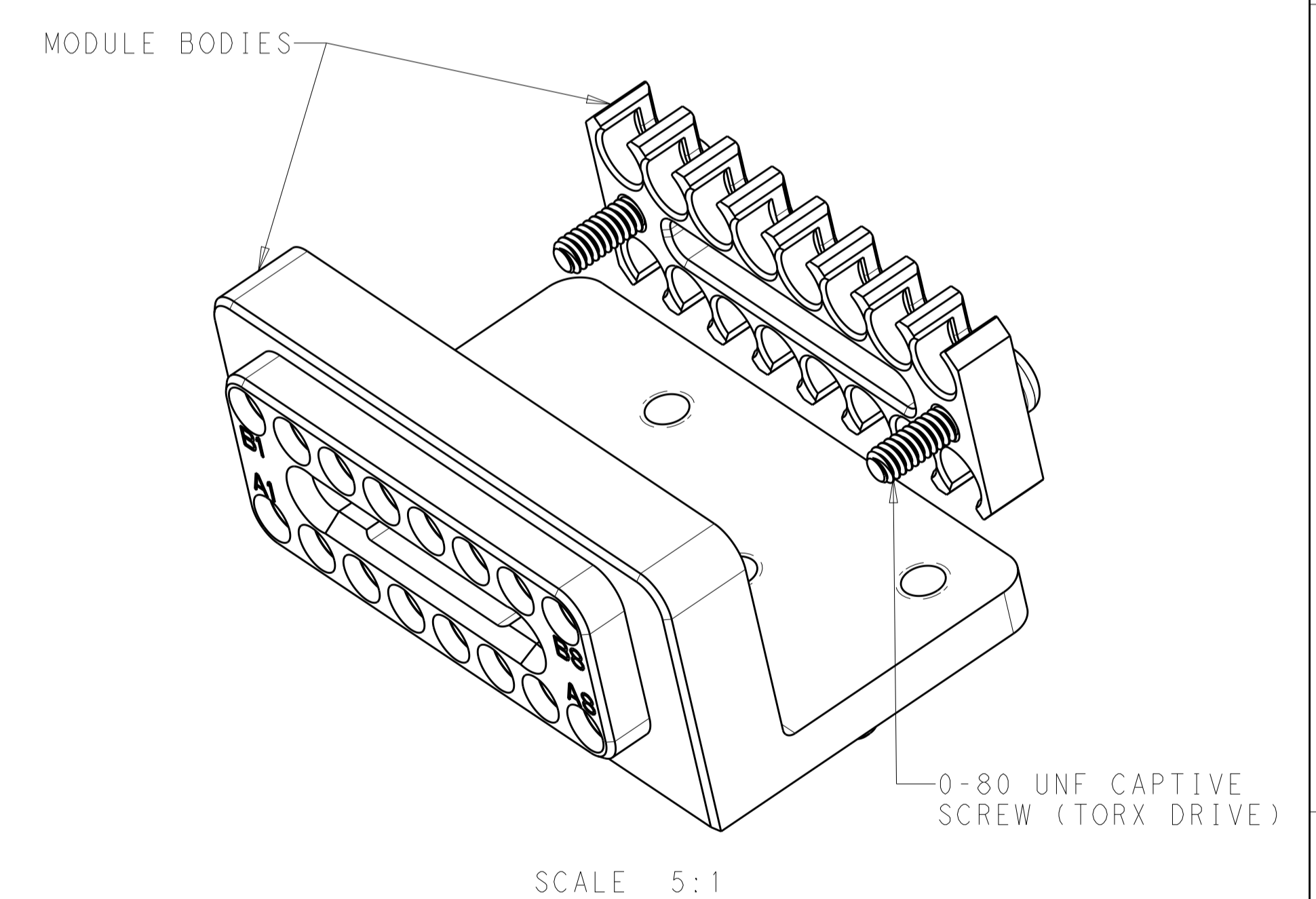
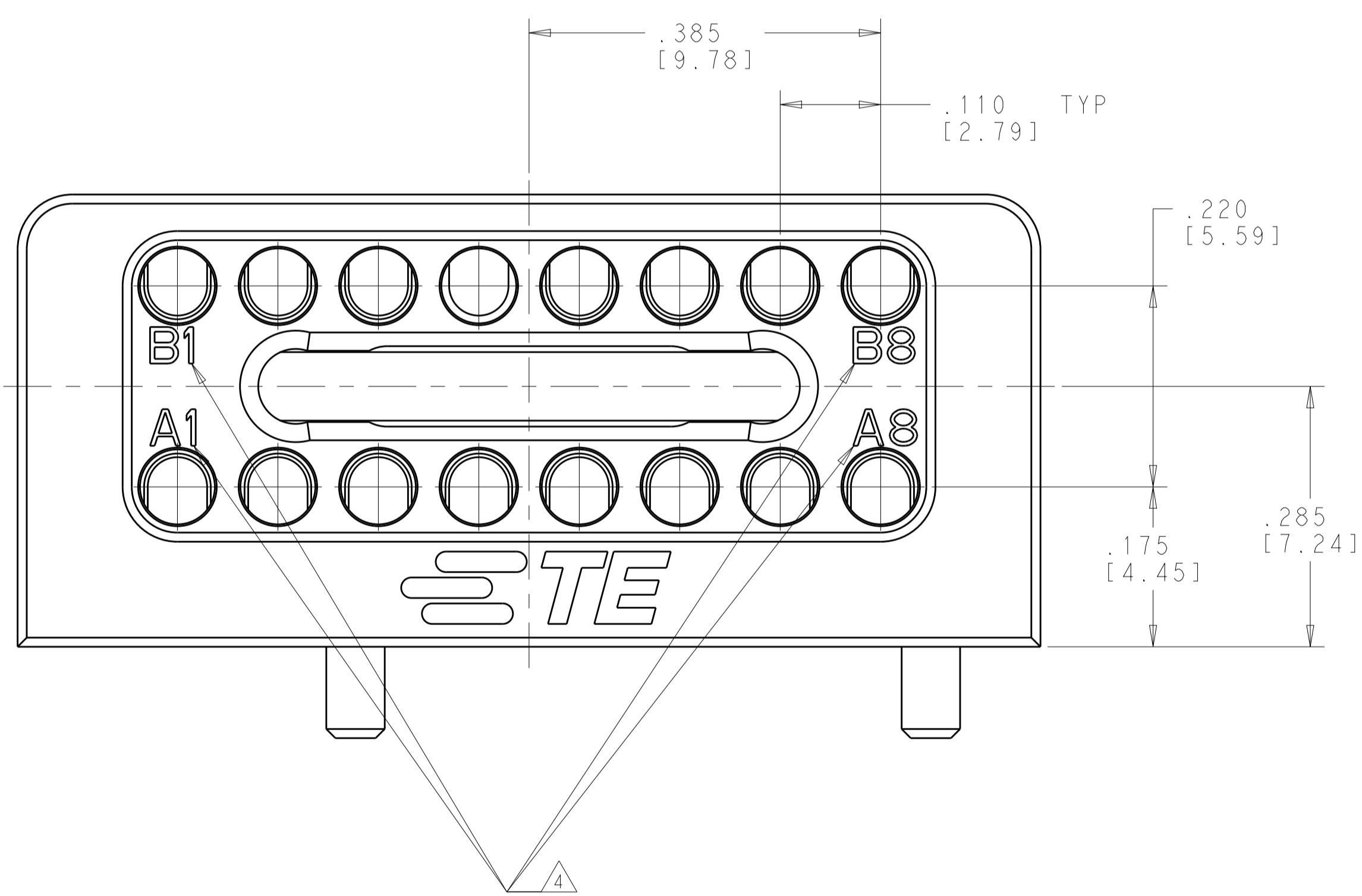
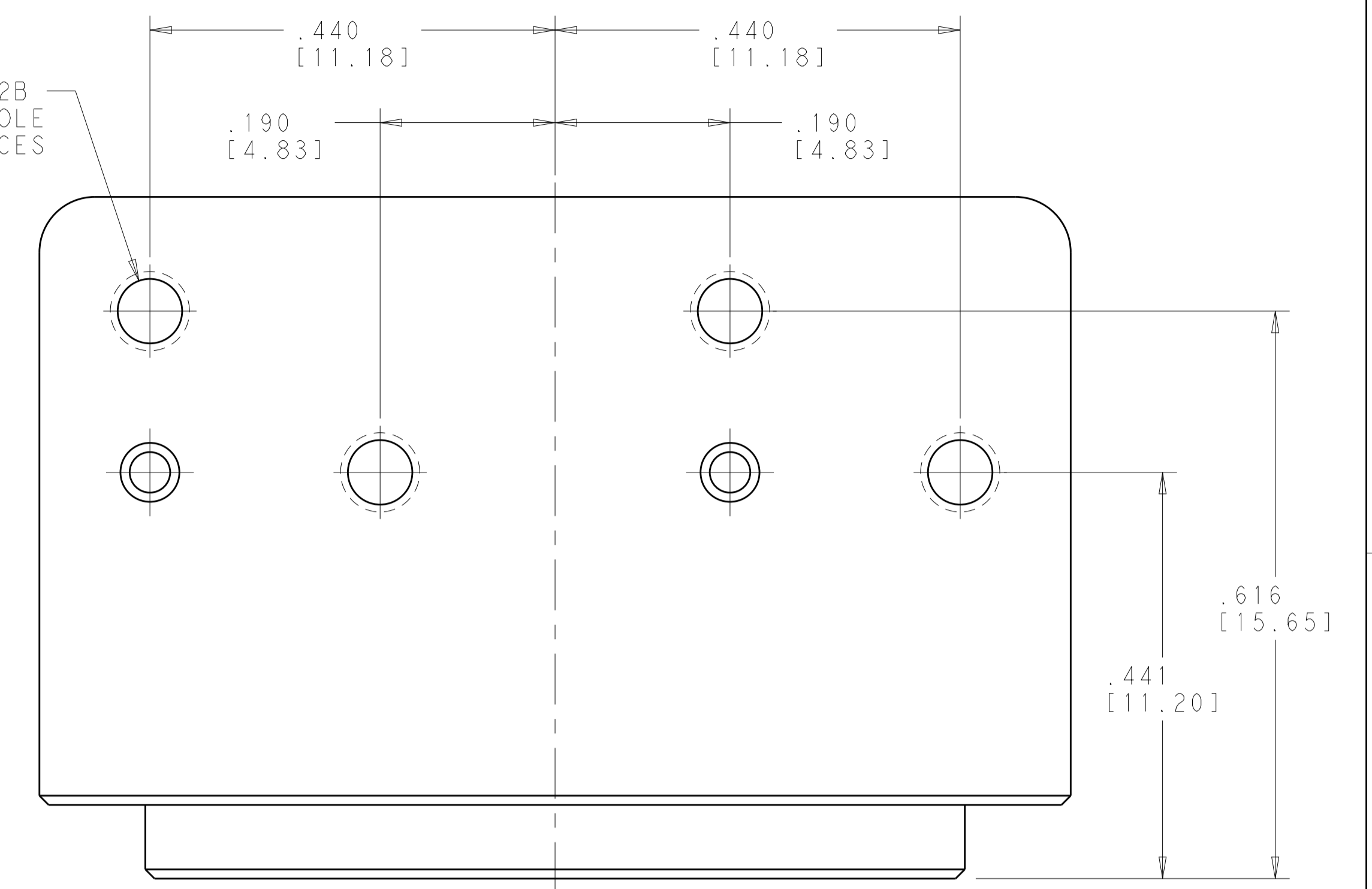
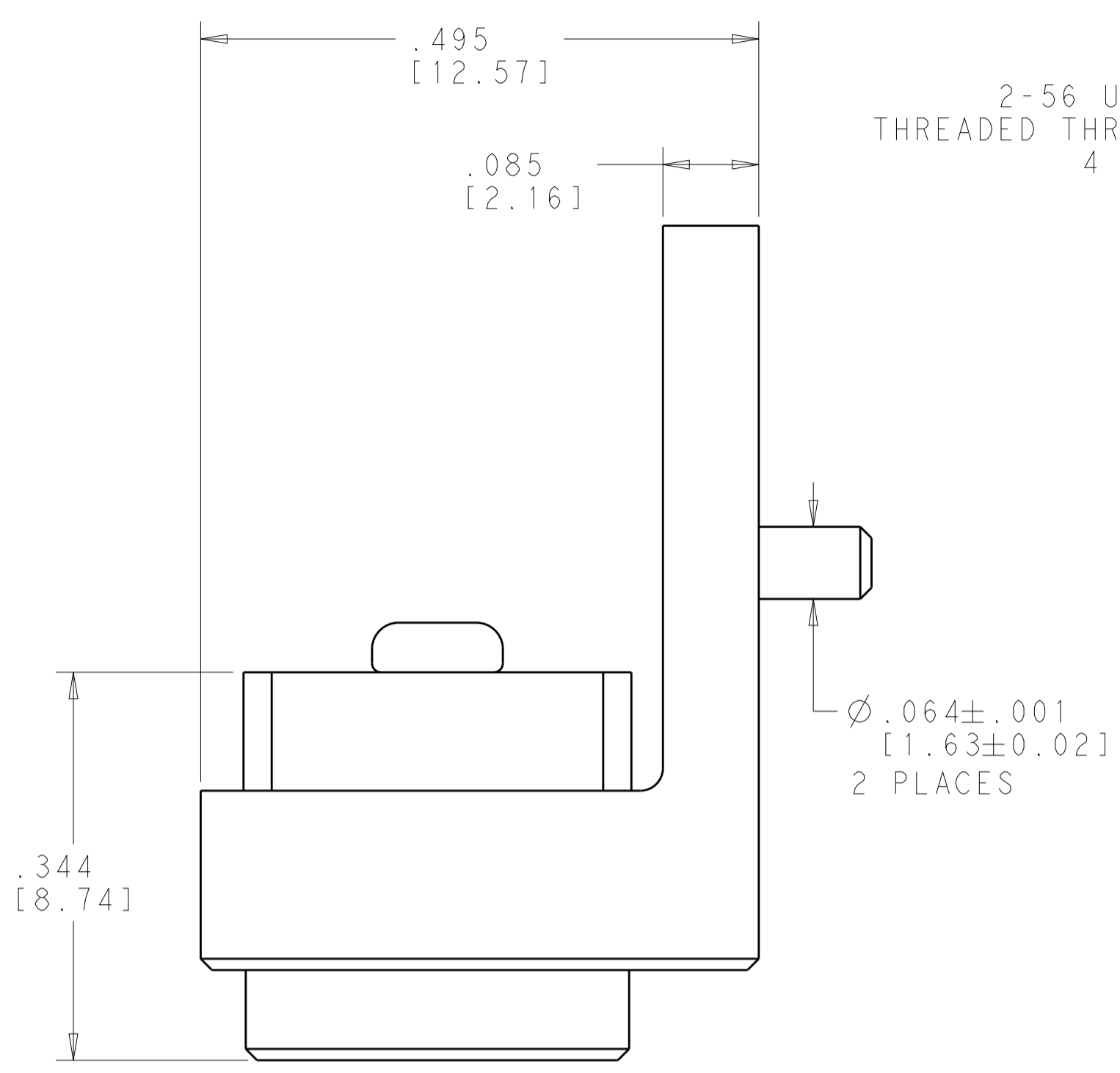
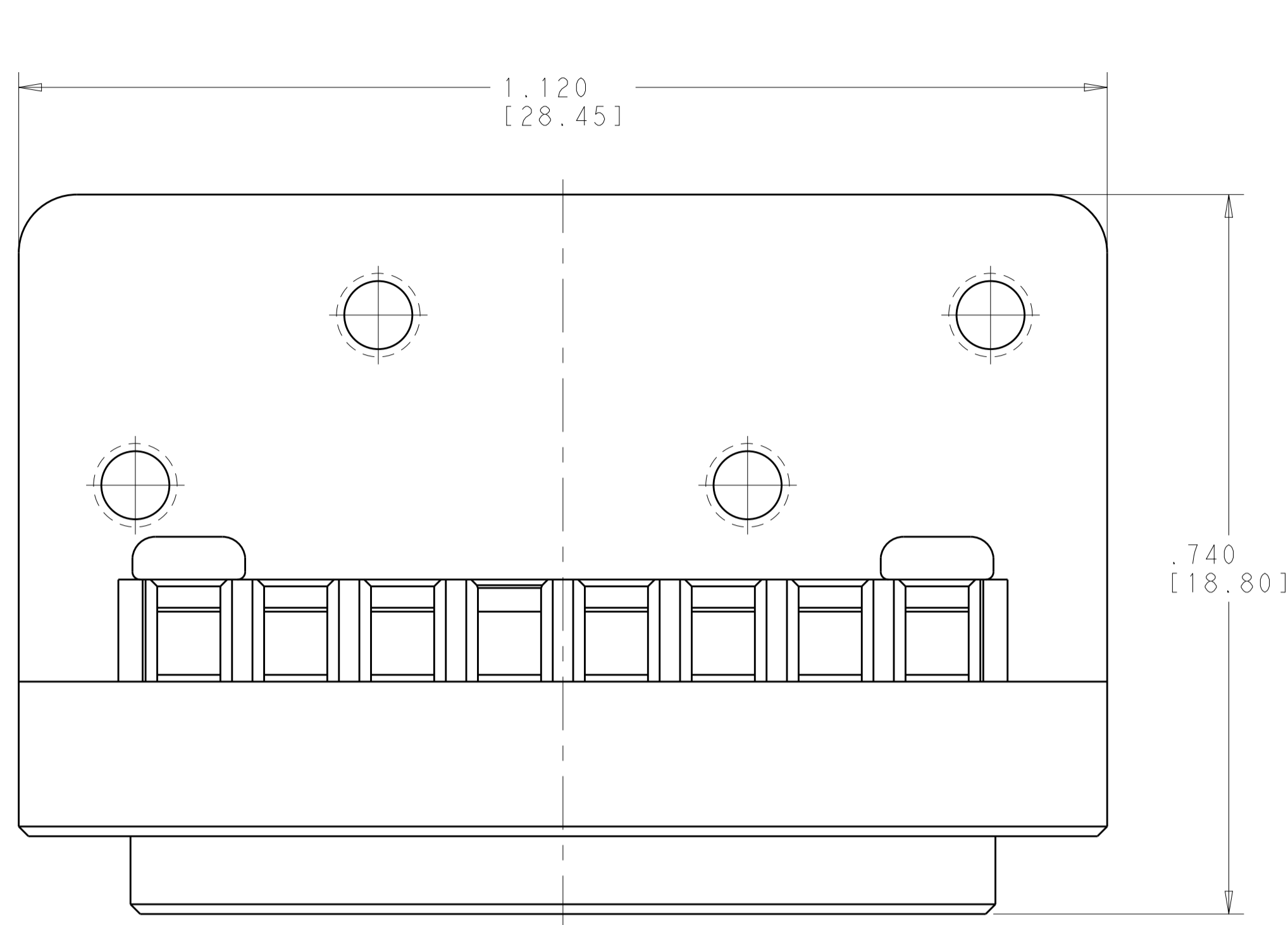


LOC		DIST		REVISIONS			
P	LTN	DESCRIPTION	DATE	DWN	APVD		
A		RELEASED	11APR2018	KM	KD		

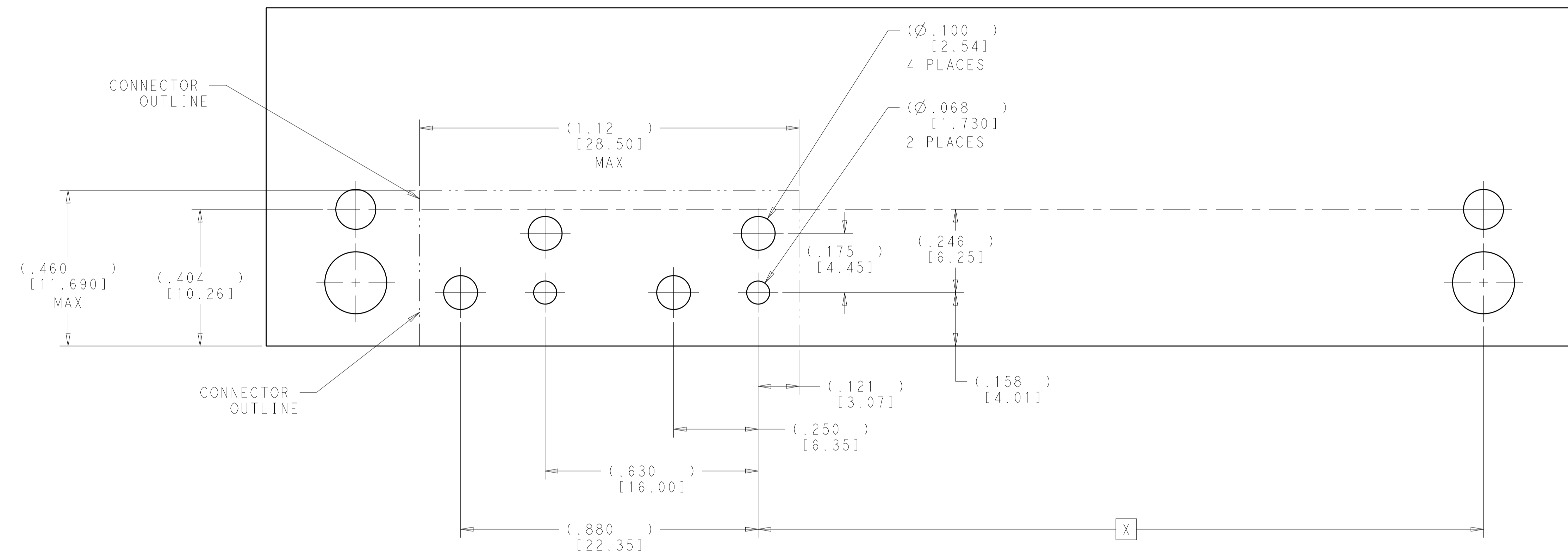


- 1 MATERIAL:
MODULE BODIES - SEE TABLE
SCREWS - 300 SERIES STAINLESS STEEL
- 2 FINISH:
MODULE BODIES - SEE TABLE
SCREWS - PASSIVATED
- 3. SHIPPED IN KIT FORM.
- 4 CIRCUIT IDENTIFICATION MARKING
- 5 P3 MODULE LOCATION CAN BE MOVED -.129[3.28] TO POSITION P3 = 3.702[94.03] TO ALLOW FOR USE OF A FULL MULTIGIG CONNECTOR IN P4. THE BACKPLANE MODULE POSITION MUST ALSO BE ADJUSTED ACCORDINGLY.
- 6 PRELIMINARY PART NUMBER - PART HAS NOT BEEN QUALIFIED

CLEAR CHROMATE CONVERSION COATING	ALUMINUM ALLOY 7075	2828392-2
PASSIVATED	STAINLESS STEEL PER UNS S30300	2828392-1
MODULE FINISH 2	MODULE MATERIAL 1	PART NUMBER

THIS DRAWING IS A CONTROLLED DOCUMENT.		DWN R. MILLER 14AUG2015	06AUG2015	TE Connectivity
DIMENSIONS: INCHES/mm		CHK C. YI 11APR2018		
TOLERANCES UNLESS OTHERWISE SPECIFIED:		APVD K. DOWNHOWER		NAME 16 POSITION NanoRF MODULE P.C.B. MOUNT - DAUGHTERCARD VITA
0 PLC ± 1 PLC ± 2 PLC ± 3 PLC ±.005[0.13] 4 PLC ± ANGLES ±		PRODUCT SPEC 108-163006	APPLICATION SPEC 408-163016	
MATERIAL	FINISH	WEIGHT	SIZE A1	CAGE CODE 00779
CUSTOMER DRAWING		SCALE 8:1	SHEET 1	OF 2
			REV A	

LOC		DIST		REVISIONS			
P	LTN	DESCRIPTION	DATE	DWN	APVD		
-	-	SEE SHEET 1	-	-	-	-	-



DESIGNED FOR VITA 67.2 PCB LAYOUT
 (VIEW FROM TOP SIDE)

P2	2.145 [54.48]
Δ P3	3.831 [97.31]
P4	4.965 [126.11]
P5	6.099 [154.91]
P6	7.233 [183.71]
POSITION	DIM "X"

THIS DRAWING IS A CONTROLLED DOCUMENT.		DWN H. MILLER CHK C. YI APVD K. DOWNHOWER	06AUG2015 14AUG2015 11APR2018	STE TE Connectivity
DIMENSIONS: INCHES/mm		TOLERANCES UNLESS OTHERWISE SPECIFIED:		
		0 PLC ±	PRODUCT SPEC	NAME 16 POSITION NanoRF MODULE P.C.B. MOUNT - DAUGHTERCARD VITA
		1 PLC ±	108-163006	
		2 PLC ±	APPLICATION SPEC	SIZE A1
		3 PLC ±.005(0.13)	408-163016	CAGE CODE 00779
		4 PLC ±	WEIGHT	RESTRICTED TO
		ANGLES ±		
MATERIAL		FINISH	CUSTOMER DRAWING	SCALE 4:1 SHEET 2 OF 2 REV A