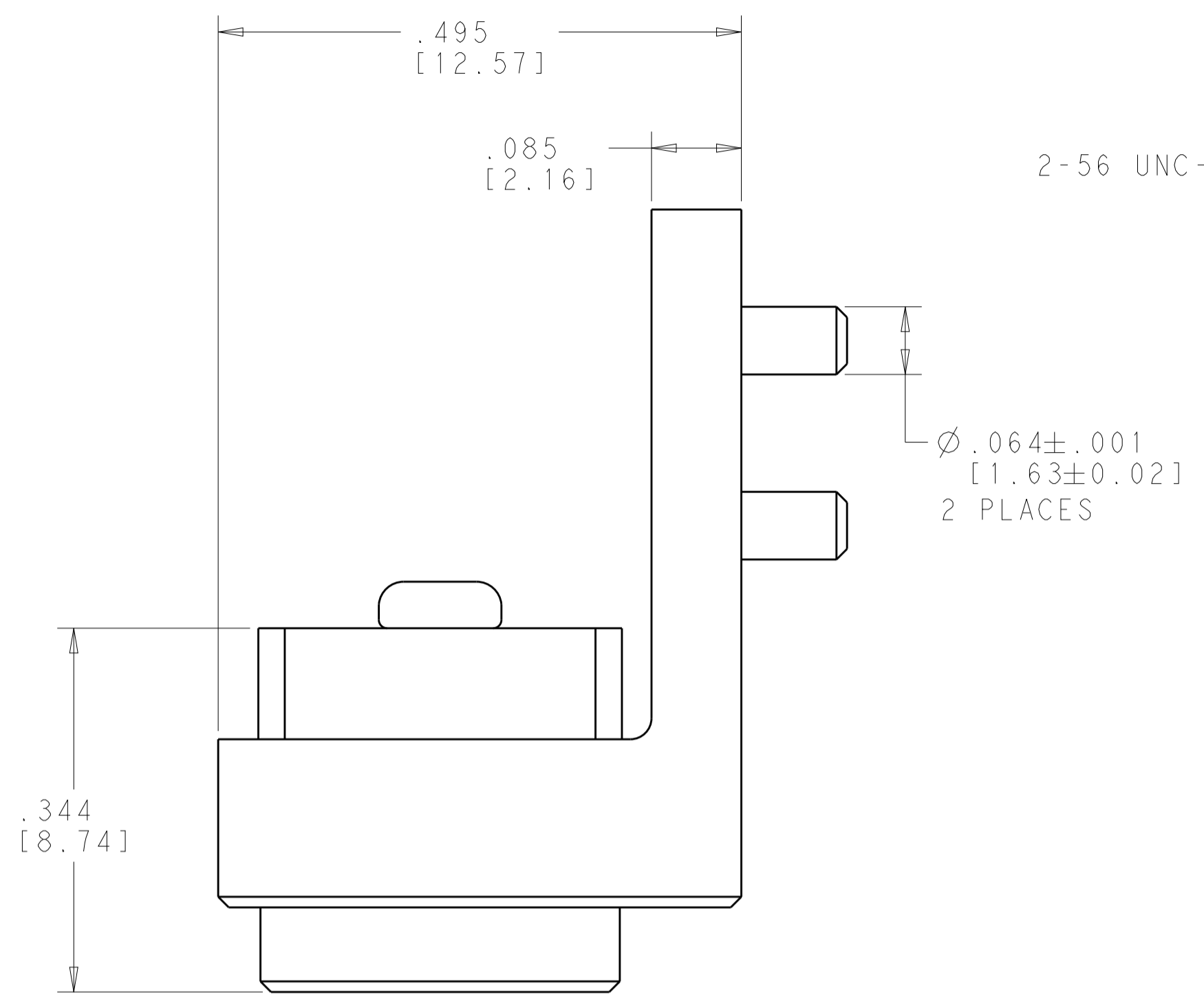
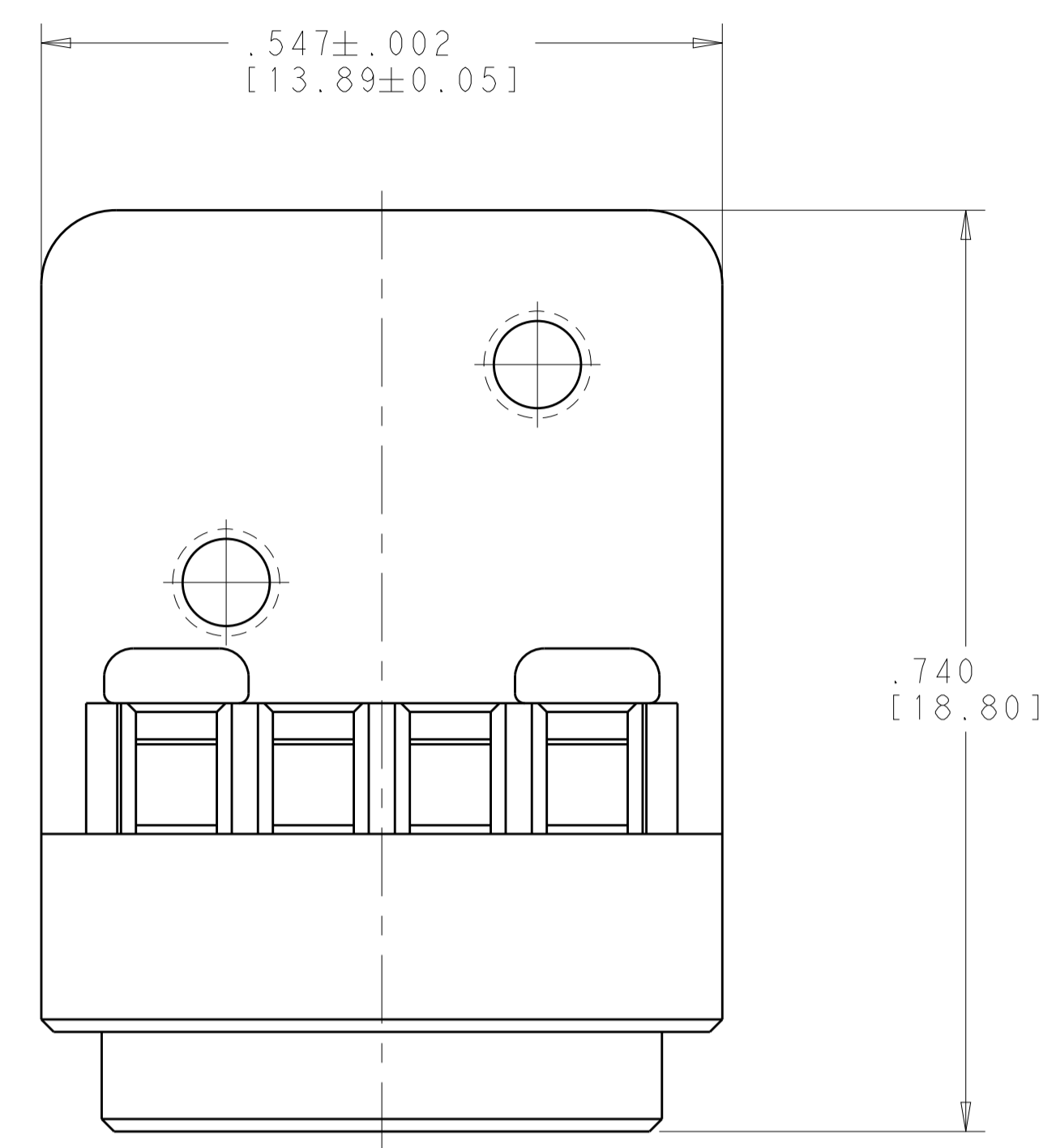
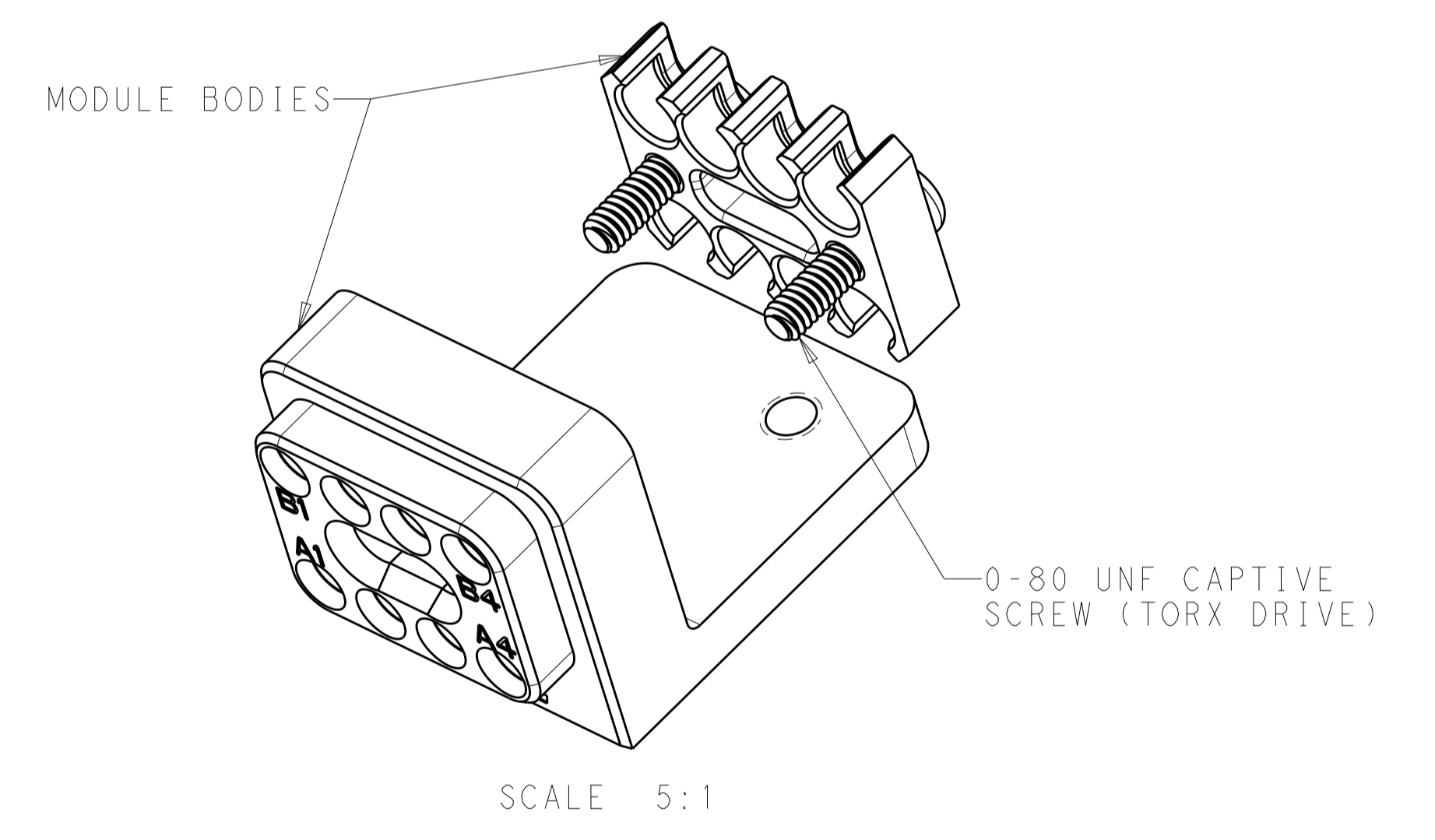
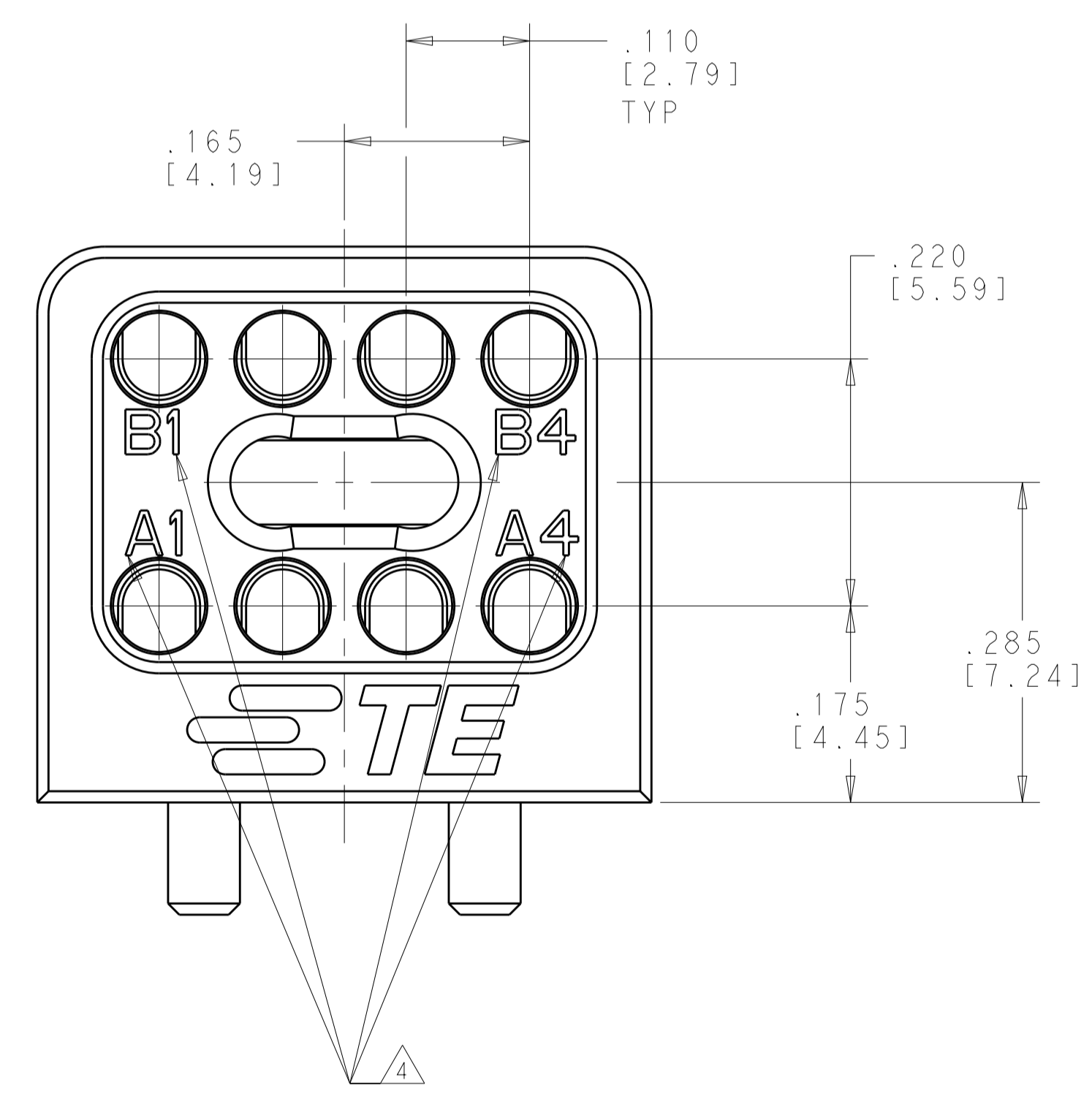
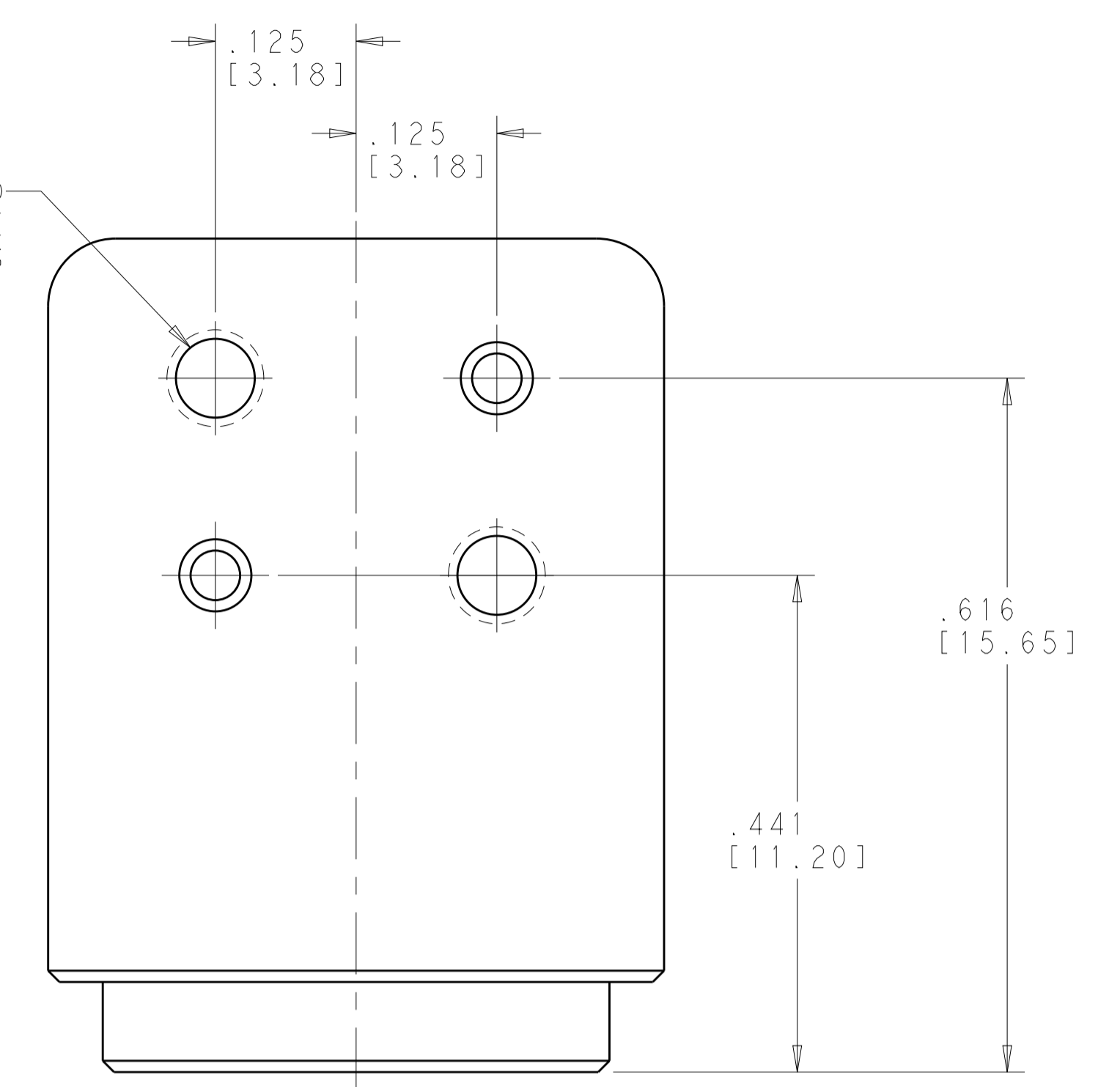


LOC		DIST		REVISIONS			
P	LTN	DESCRIPTION	DATE	DWN	APVD		
A		RELEASED	11APR2018	KM	KD		



2-56 UNC-2B THREADED THRU HOLE 2 PLACES

$\varnothing .064 \pm .001$  [1.63 ± 0.02] 2 PLACES

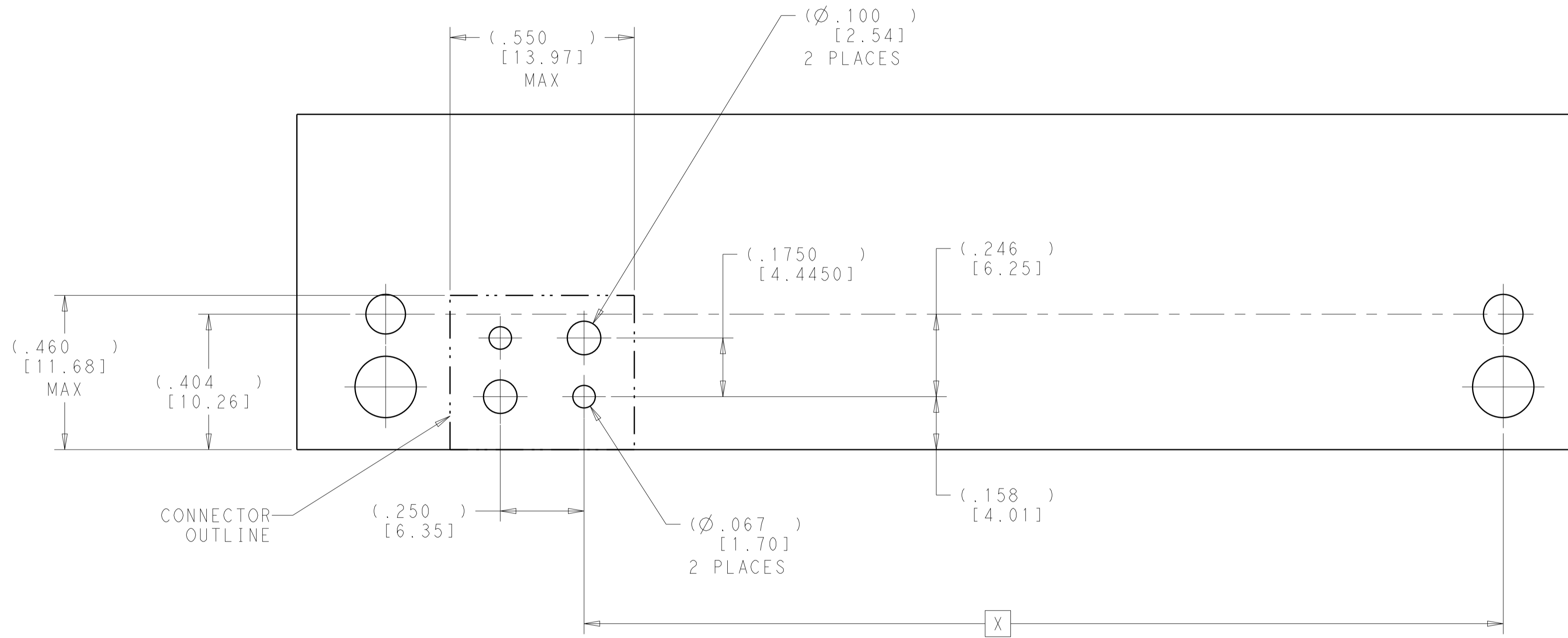


- 1 MATERIAL:  
MODULE BODIES - SEE TABLE  
SCREWS - 300 SERIES STAINLESS STEEL
- 2 FINISH:  
MODULE BODIES - SEE TABLE  
SCREWS - PASSIVATED
- 3. SHIPPED IN KIT FORM.
- 4 CIRCUIT IDENTIFICATION MARKING
- 5 PRELIMINARY PART NUMBER - PART HAS NOT BEEN QUALIFIED

CLEAR CHROMATE CONVERSION COATING	ALUMINUM ALLOY 7075	5 2828431-2
PASSIVATED	STAINLESS STEEL PER UNS S30300	2828431-1
MODULE FINISH 2	MODULE MATERIAL 1	PART NUMBER

THIS DRAWING IS A CONTROLLED DOCUMENT.		DWN R. MILLER 23APR2015	8 POSITION NanoRF MODULE P.C.B. MOUNT - DAUGHTERCARD VITA	
DIMENSIONS: INCHES/mm		CHK C. YI 14AUG2015	APVD K. DOWNHOWER 11APR2018	
TOLERANCES UNLESS OTHERWISE SPECIFIED:		PRODUCT SPEC 108-163006	APPLICATION SPEC 408-163016	
MATERIAL		FINISH	WEIGHT	SIZE CAGE CODE DRAWING NO A1 00779 C=2828431
CUSTOMER DRAWING		SCALE 8:1	SHEET 1 OF 2	REV A

LOC		DIST		REVISIONS			
				DESCRIPTION	DATE	DMN	APVD
-	-	-	-	SEE SHEET 1	-	-	-



DESIGNED FOR VITA 67.1 PCB LAYOUT  
 (VIEW FROM TOP SIDE)

P2A	2.187[55.55]
P2B	2.743[69.67]
P3A	3.875[98.42]
P3B	4.431[112.54]
P4A	5.009[127.22]
P4B	5.565[141.34]
P5A	6.142[156.02]
P5B	6.698[170.14]
P6A	7.276[184.82]
P6B	7.832[198.94]
POSITION	DIM "X"

THIS DRAWING IS A CONTROLLED DOCUMENT.		DMN H. MILLER 23APR2015	TE Connectivity
DIMENSIONS: INCHES/mm		CHK C. YI 14AUG2015	
TOLERANCES UNLESS OTHERWISE SPECIFIED:		APVD K. DOWNHOWER 11APR2018	NAME 8 POSITION NanoRF MODULE P.C.B. MOUNT - DAUGHTERCARD VITA
0 PLC ± 1 PLC ± 2 PLC ± 3 PLC ±.005(0.13) 4 PLC ± ANGLES ± FINISH		PRODUCT SPEC 108-163006	SIZE A100779
MATERIAL		APPLICATION SPEC 408-163016	DRAWING NO C=2828431
		WEIGHT	RESTRICTED TO
		CUSTOMER DRAWING	SCALE 5:1 SHEET 2 OF 2 REV A