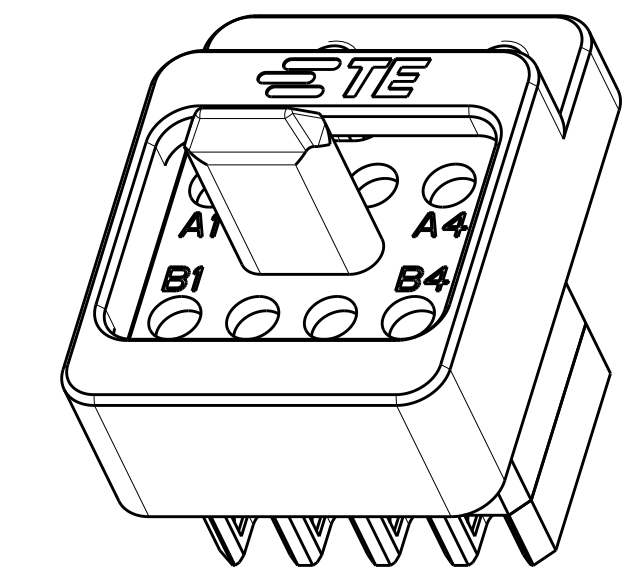
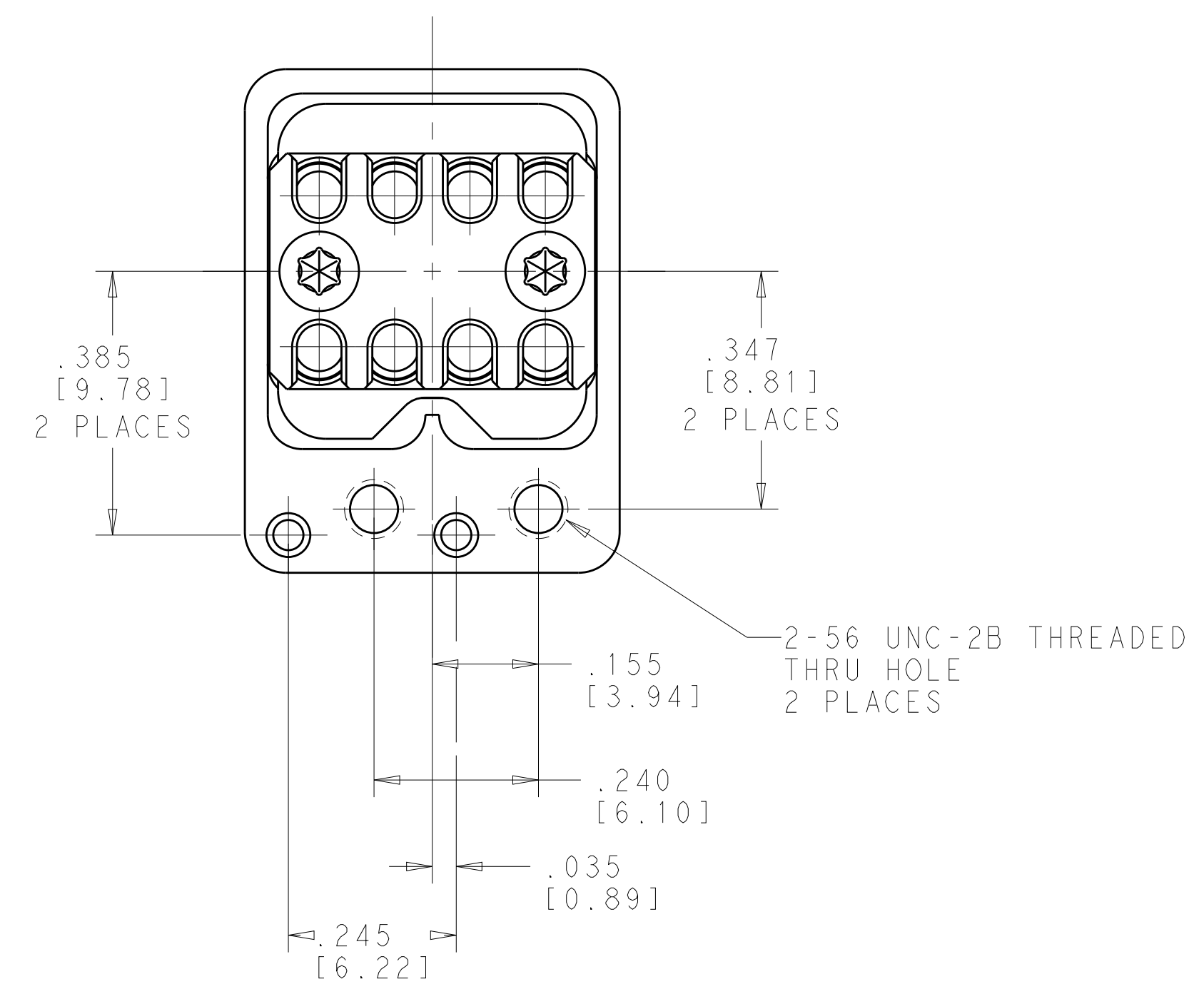
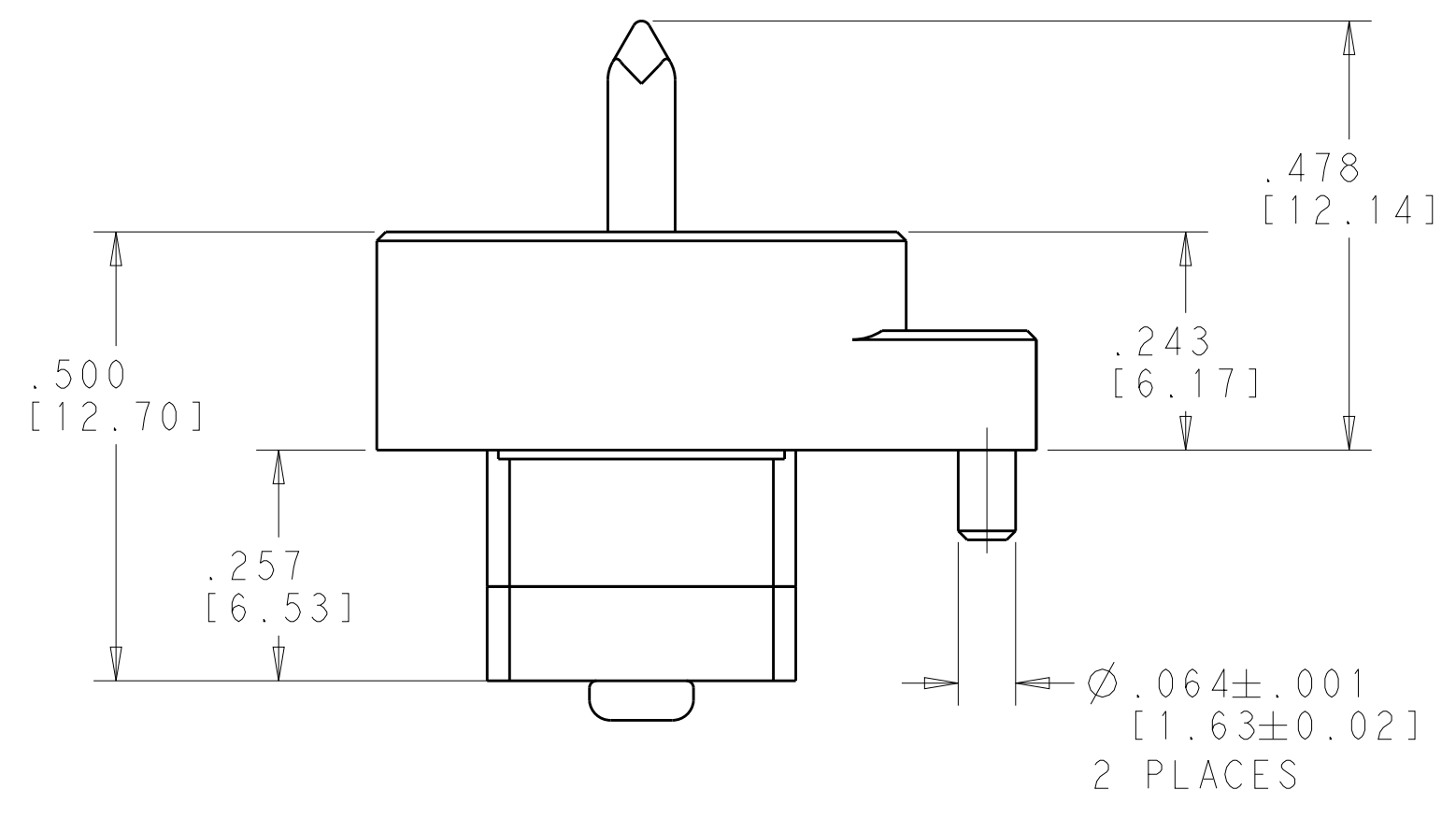
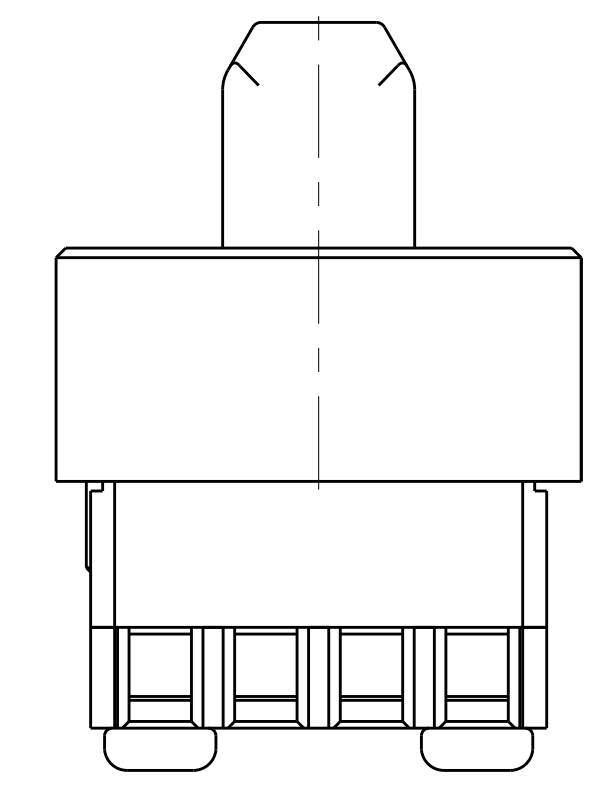
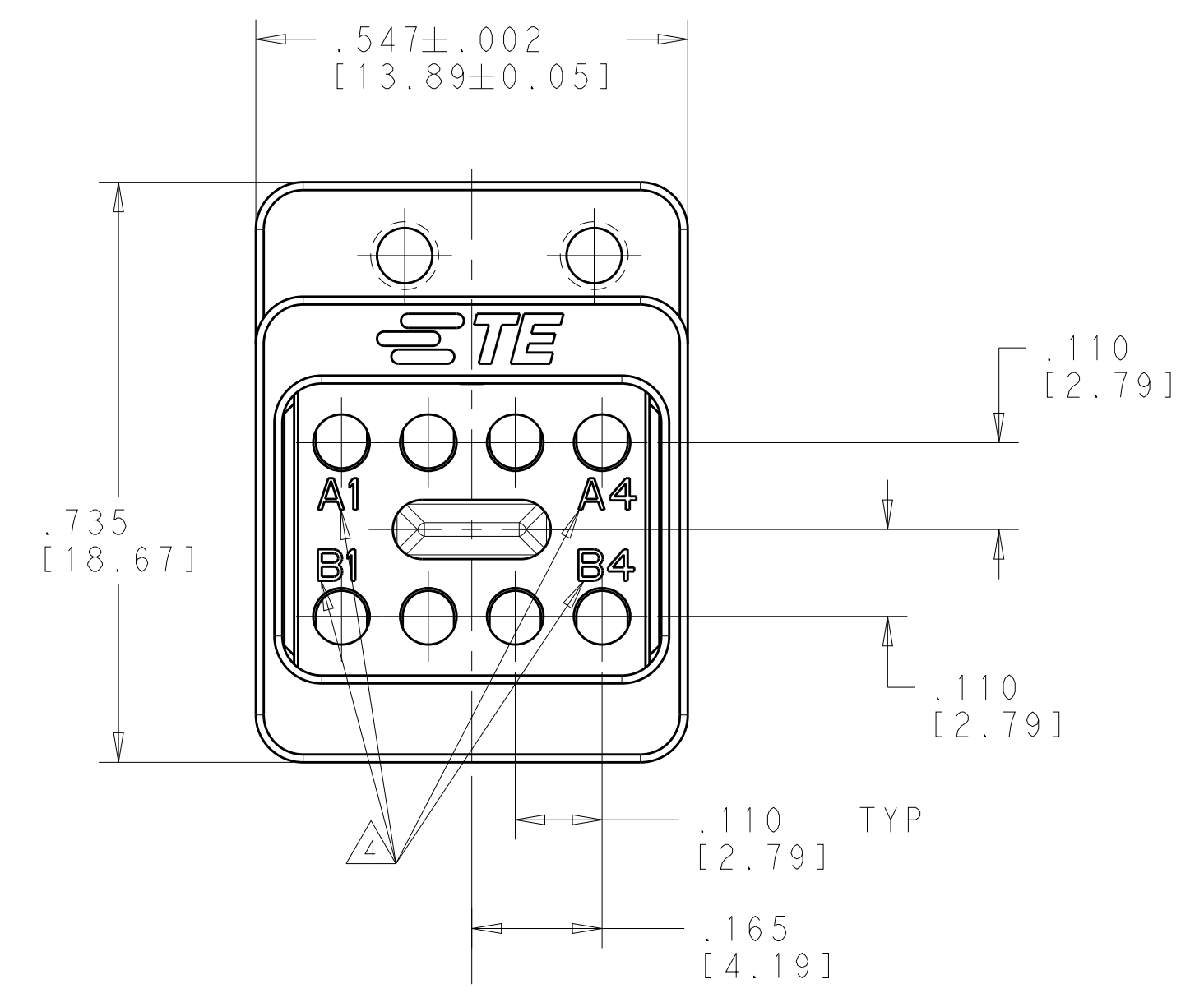
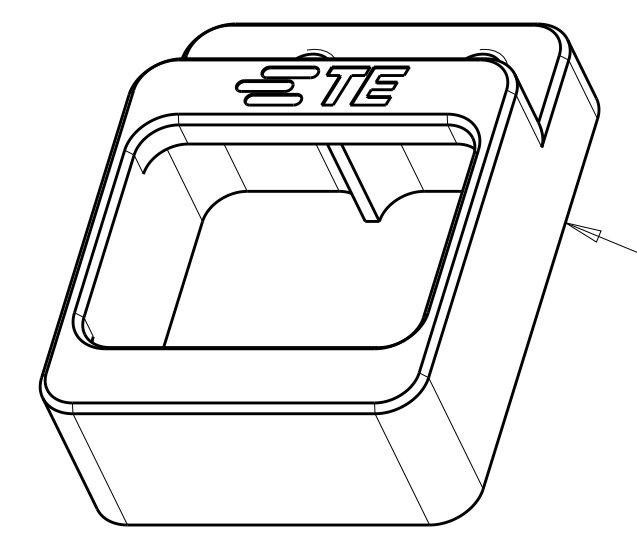


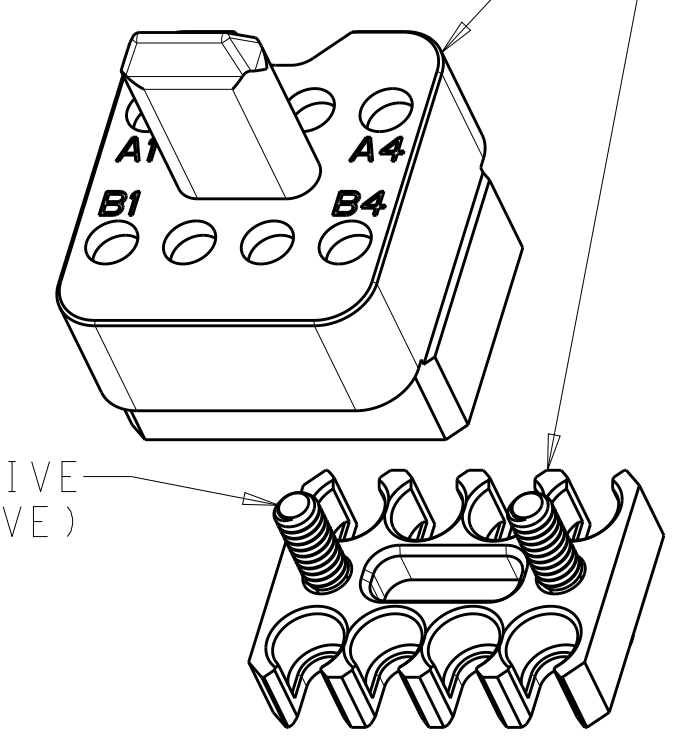
LOC		DIST		REVISIONS			
P	LTN	DESCRIPTION	DATE	DWN	APVD		
A		RELEASED	11APR2018	KM	KD		



SCALE 4:1



MODULE BODIES



0-80 UNF CAPTIVE SCREW (TORX DRIVE)

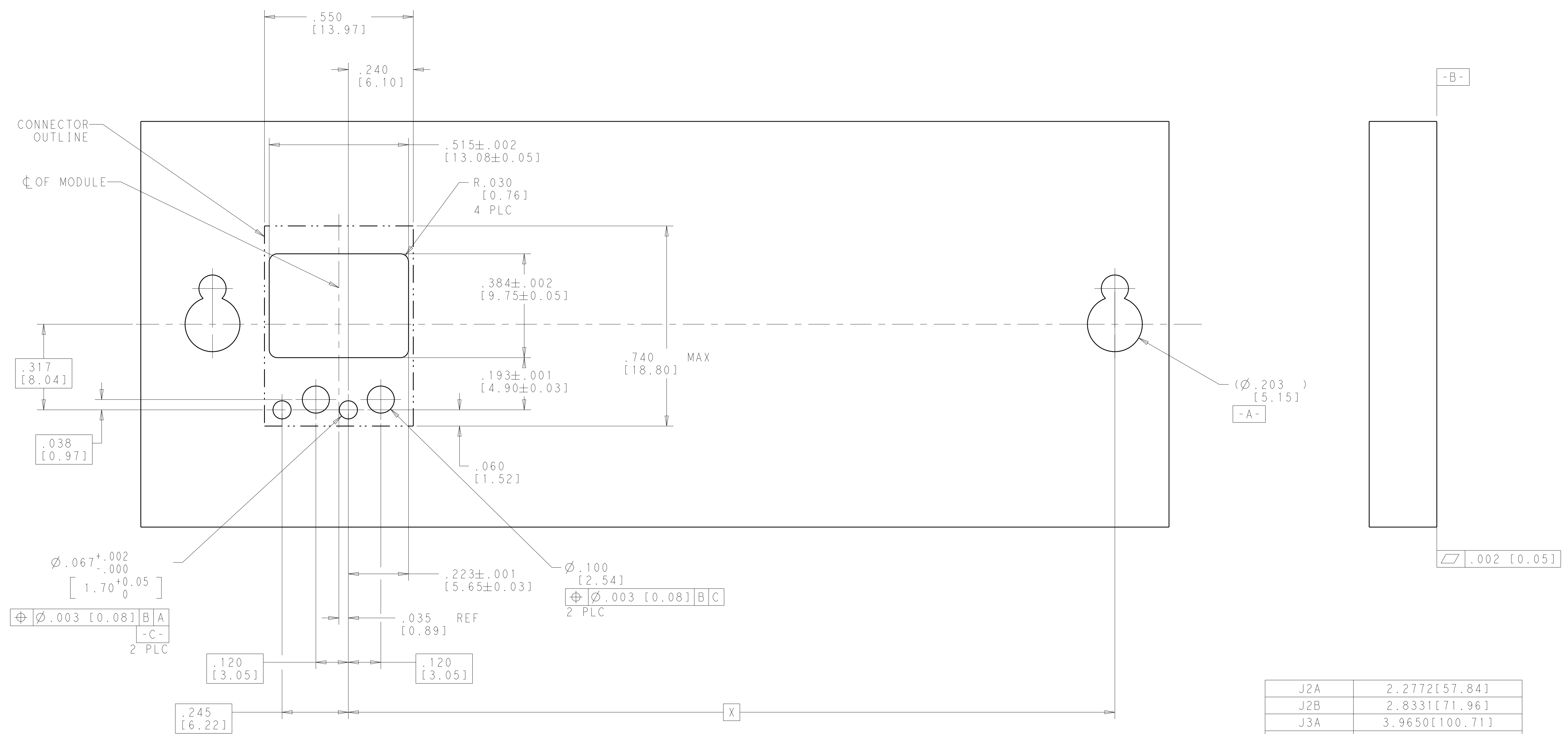
SCALE 4:1

- 1 MATERIAL:
MODULE BODIES - SEE TABLE
GUIDE PIN - STAINLESS STEEL, PER UNS S30300
SCREWS - 300 SERIES STAINLESS STEEL
- 2 FINISH:
MODULE BODIES - SEE TABLE
SCREWS AND GUIDE PIN - PASSIVATED
- 3. SHIPPED IN KIT FORM.
- 4 CIRCUIT IDENTIFICATION MARKING
- 5 PRELIMINARY PART NUMBER - PART HAS NOT BEEN QUALIFIED

CLEAR CHROMATE CONVERSION COATING	ALUMINUM	5 2828434-2
PASSIVATED	STAINLESS STEEL PER UNS S30300	2828434-1
MODULE FINISH 2	MODULE MATERIAL 1	PART NUMBER

THIS DRAWING IS A CONTROLLED DOCUMENT.		DWN: H. MILLER 23APR2015	TE Connectivity	
DIMENSIONS: INCHES/mm		CHK: C. YI 14AUG2015	NAME: 8 POSITION NanoRF MODULE P.C.B. MOUNT - BACKPLANE VITA	
TOLERANCES UNLESS OTHERWISE SPECIFIED:		APVD: K. DOWNHOWER 11APR2017	PRODUCT SPEC: 108-163006	
0 PLC ±		APPLICATION SPEC: 408-163016	SIZE: A1	
1 PLC ±		WEIGHT: -	CAGE CODE: 00779	
2 PLC ±		CUSTOMER DRAWING	DRAWING NO: 2828434	
3 PLC ±.005(0.13)		SCALE: 5:1	SHEET 1 OF 2	
4 PLC ±			REV: A	
ANGLES ±				
FINISH 2				

LOC		DIST		REVISIONS			
P	LTN	DESCRIPTION	DATE	DMN	APVD		
-	-	SEE SHEET 1	-	-	-		



TYP PCB LAYOUT - VIEWED FROM BACKSIDE OF BACKPLANE

J2A	2.2772 [57.84]
J2B	2.8331 [71.96]
J3A	3.9650 [100.71]
J3B	4.5209 [114.83]
J4A	5.0988 [129.51]
J4B	5.6547 [143.63]
J5A	6.2327 [158.31]
J5B	6.7886 [172.43]
J6A	7.3665 [187.11]
J6B	7.9224 [201.23]
POSITION	DIM "X"

THIS DRAWING IS A CONTROLLED DOCUMENT.

DIMENSIONS: INCHES/mm	TOLERANCES UNLESS OTHERWISE SPECIFIED: 0 PLC ± 1 PLC ± 2 PLC ± 3 PLC ±.005 [0.13] 4 PLC ± ANGLES ± FINISH	DMN R. MILLER 23APR2015 CHK C. YI 14AUG2015 APVD K. DOWNHOWER 11APR2017 PRODUCT SPEC 108-163006 APPLICATION SPEC 408-163016 WEIGHT CUSTOMER DRAWING	NAME 8 POSITION NanoRF MODULE P.C.B. MOUNT - BACKPLANE VITA SIZE A100779 CAGE CODE 2828434 SCALE 8:1 SHEET 2 OF 2 REV A	RESTRICTED TO
--------------------------	--	--	--	---------------

4805 (3/11)