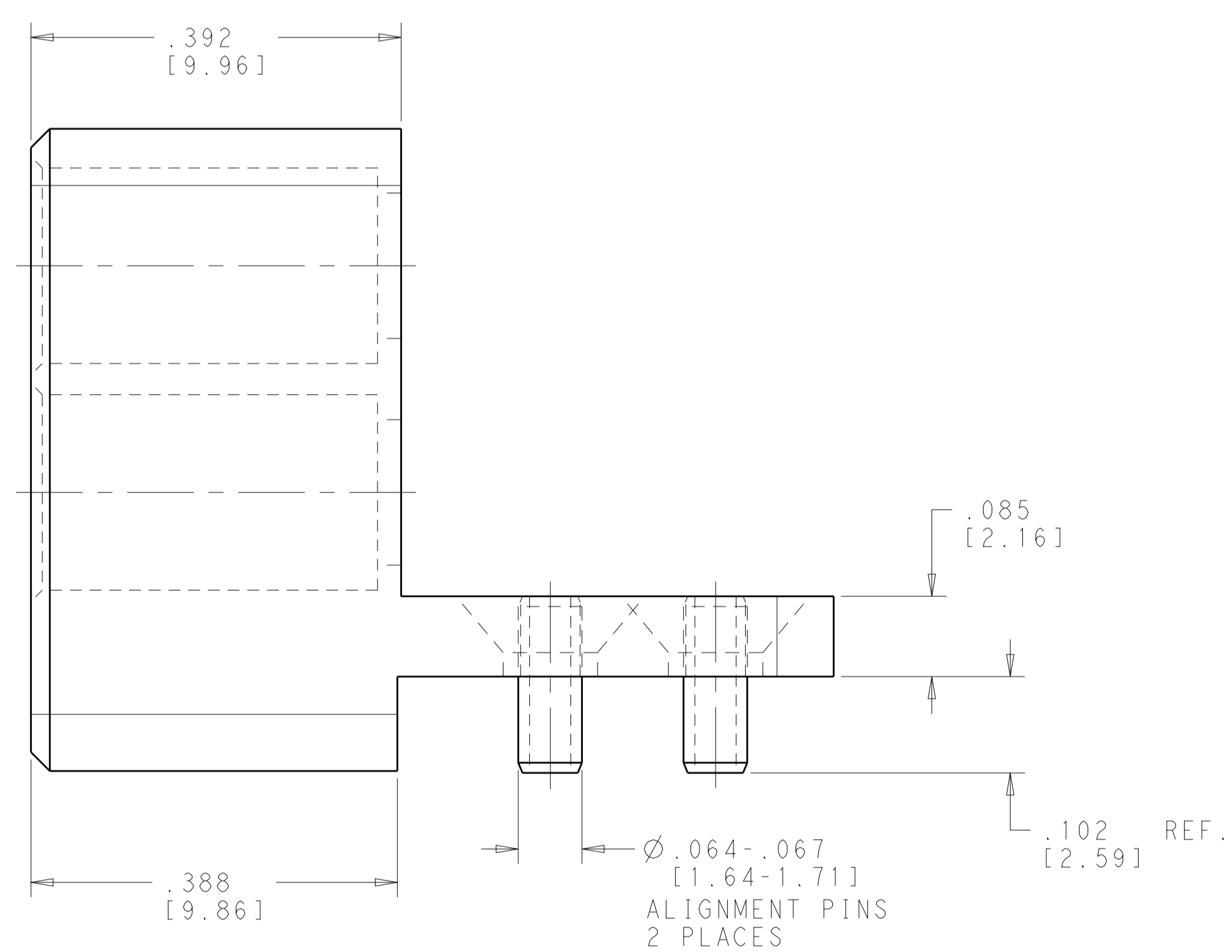
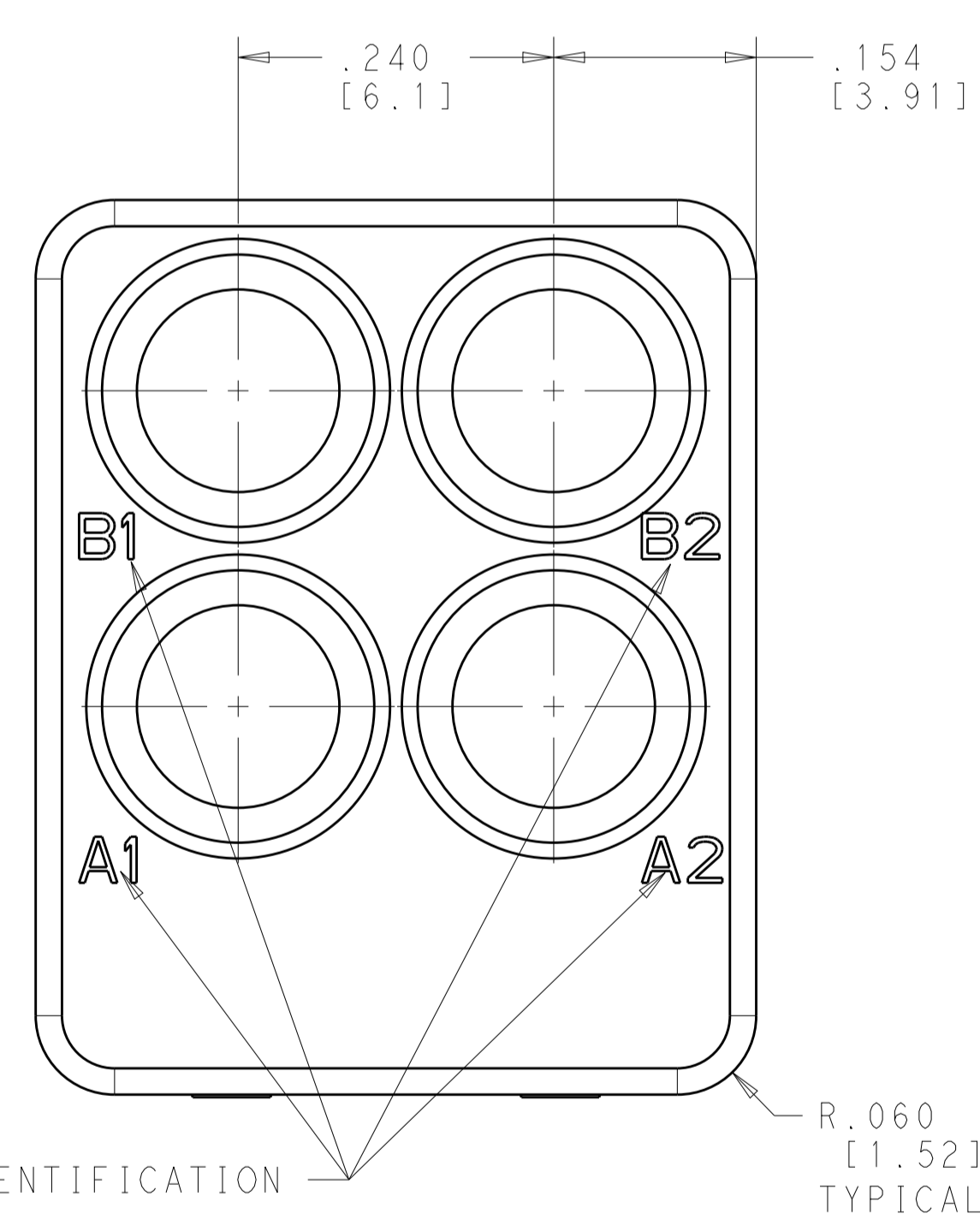
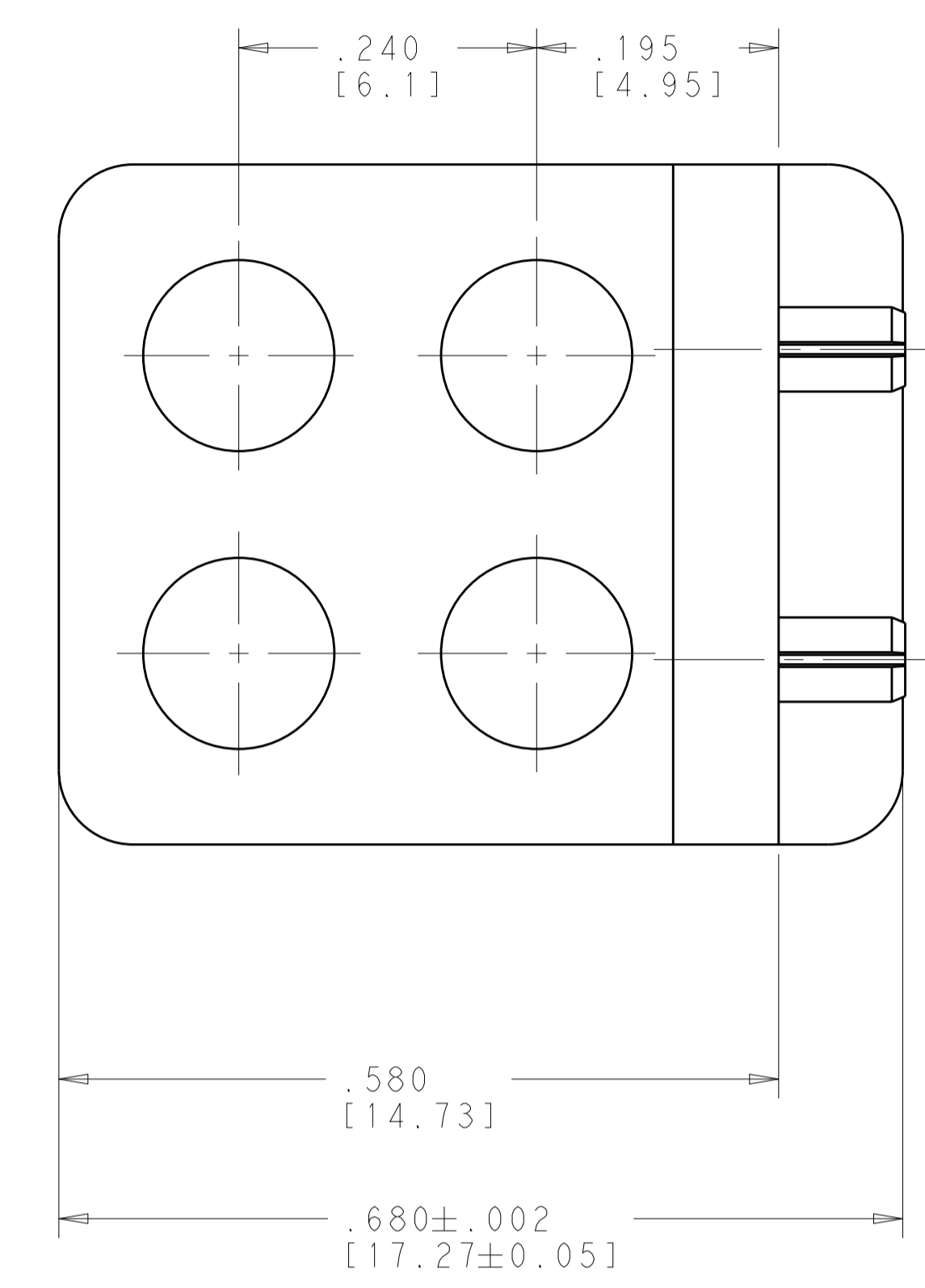
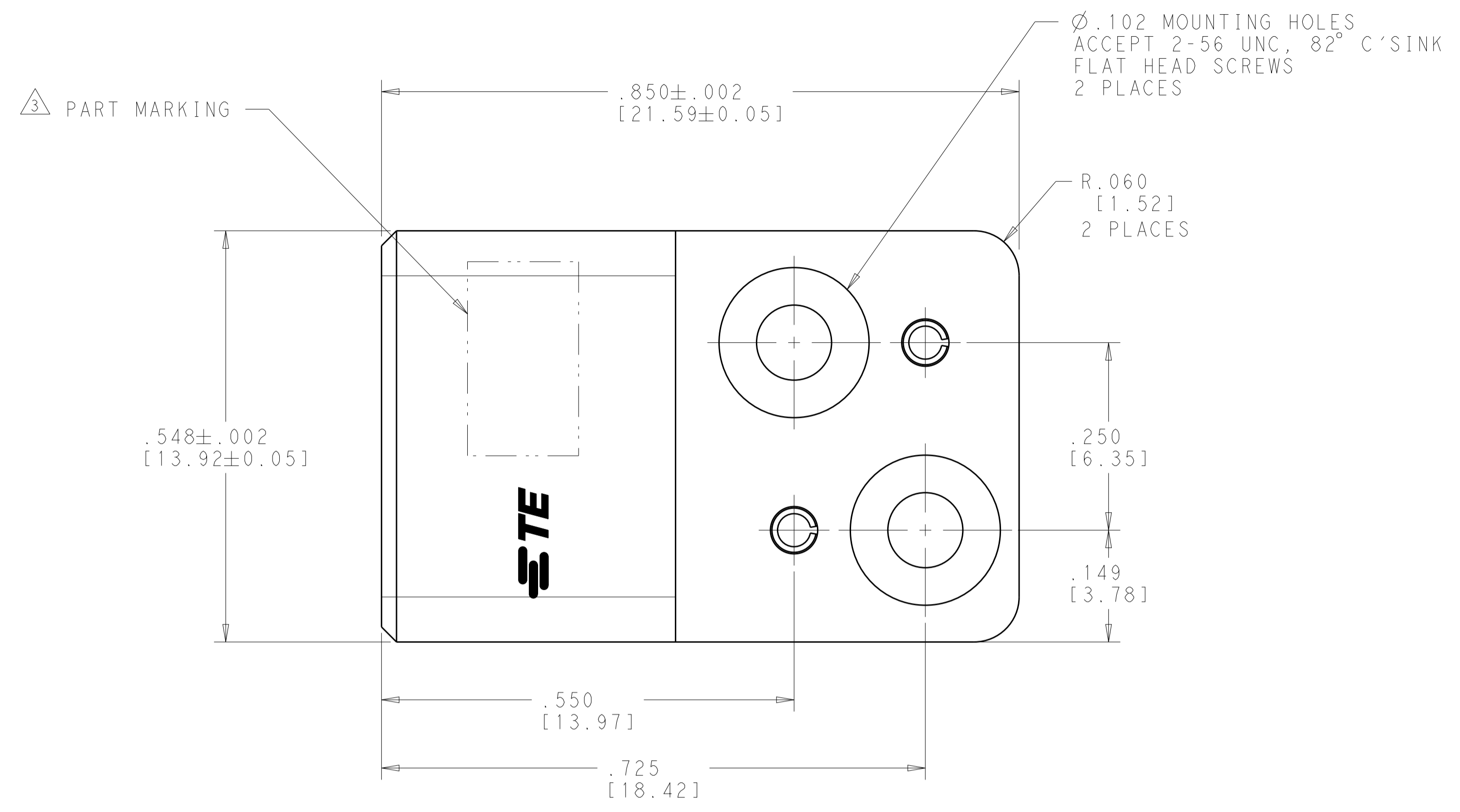
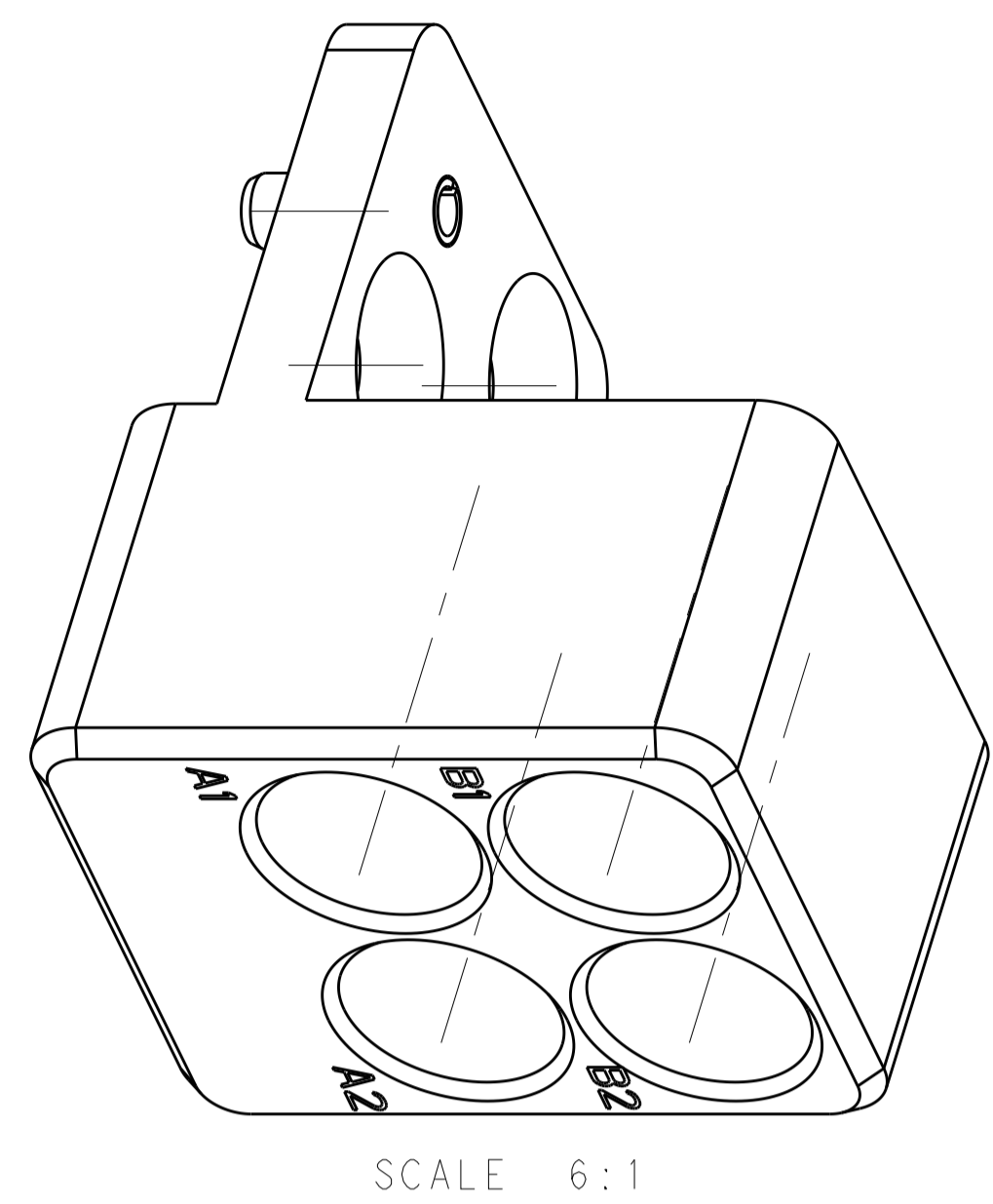


| LOC |  | DIST |  | REVISIONS   |           |          |       |
|-----|--|------|--|-------------|-----------|----------|-------|
|     |  |      |  | REV         | DATE      | BY       | APPV  |
|     |  | H    |  | REV PER ECO | 15-012318 | 10-12-16 | CT DW |



- △ MATERIAL:  
MODULE BODY - STAINLESS STEEL, PER UNS S30300  
SPRING PINS - WORK HARDENED NICKEL STAINLESS STEEL
- △ FINISH:  
MODULE BODY AND SPRING PINS - PASSIVATED
- △ PART MARKING:  
TE CONNECTIVITY PART NUMBER, CAGE CODE AND DATE CODE
- △ CAVITY IDENTIFICATION MARKING

|                 |                     |             |
|-----------------|---------------------|-------------|
| 1996883-4       | △3/4                | 1996883-4   |
| -----           | -----               | 1996883-3   |
| TE PART MARKING | MARKING REQUIREMENT | PART NUMBER |

|  |  |                            |  |
|--|--|----------------------------|--|
| THIS DRAWING IS A CONTROLLED DOCUMENT.                                 |  | DWN S.T. Morley 11AUG2009  | TE Connectivity  |
| DIMENSIONS: [INCHES/mm]  |  | CHK S.T. Morley 11AUG2009  |  |
| TOLERANCES UNLESS OTHERWISE SPECIFIED:                                 |  | APVD S.T. Morley 11AUG2009 | NAME: 4 POSITION R.F. MODULE<br>P.C.B. MOUNT - DAUGHTER CARD<br>VITA 67, 3U (1/2 SIZE) |
| 0 PLC ±.1<br>2 PLC ±.01<br>3 PLC ±.001<br>4 PLC ±.0005<br>ANGLES ±1.0° |  | PRODUCT SPEC               |  |
| MATERIAL   |  | APPLICATION SPEC           | RESTRICTED TO  |
| FINISH   |  | WEIGHT .512 oz             | SIZE CAGE CODE DRAWING NO  |
| CUSTOMER DRAWING   |  | A100779C=1996883           | SCALE 8:1 SHEET 1 OF 1 REV H   |