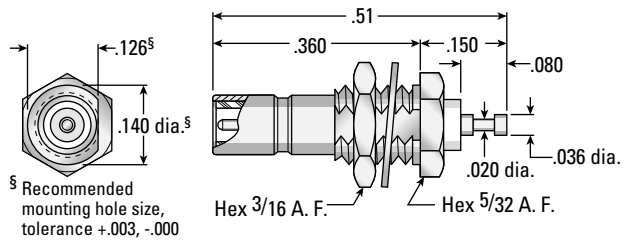


SSMB Bulkhead Mounted Receptacles

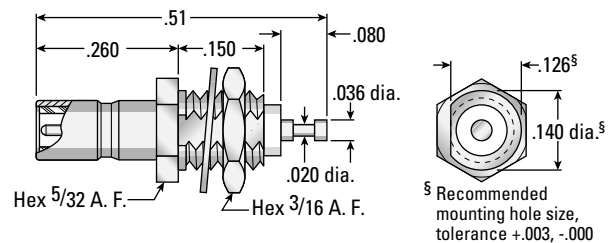
Straight Bulkhead Jack Receptacles (.093" max panel thickness)

Rear mount



AEP P/N
7204-1511-000

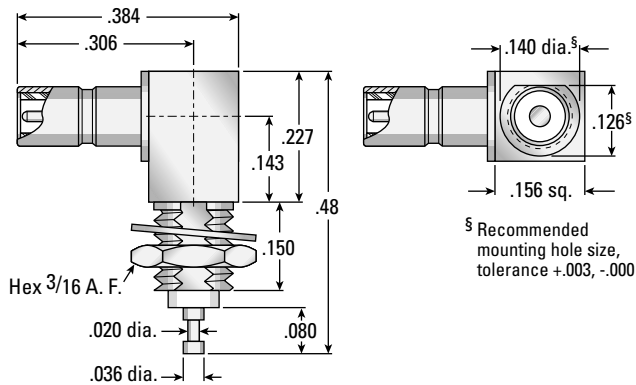
Front mount



AEP P/N
7219-1511-000

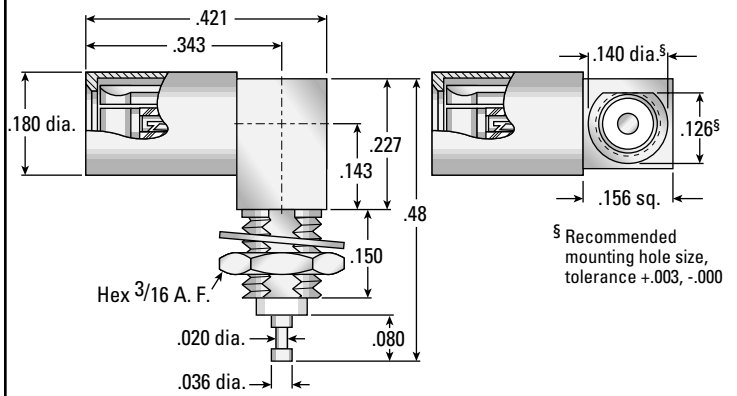
Right Angle Bulkhead Receptacles (.093" max panel thickness)

Jack type



AEP P/N
7212-1511-000

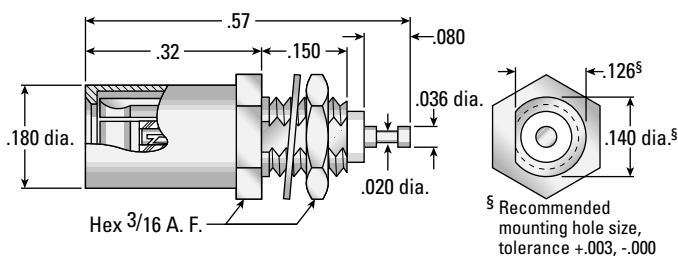
Plug type



AEP P/N
7240-1511-000

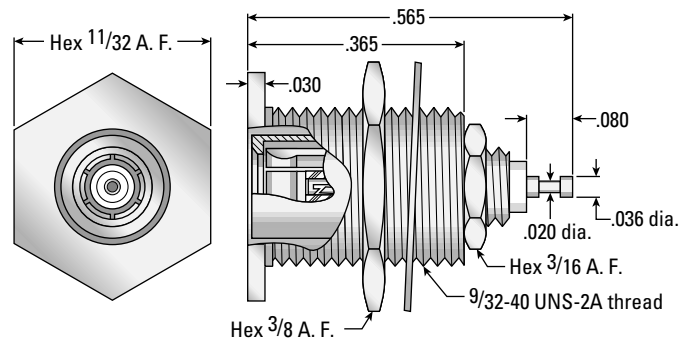
Straight Bulkhead Plug Receptacles

Front mount (.093" max panel thickness)



AEP P/N
7217-1512-000

Recessed mount (.200" max panel thickness)



AEP P/N
7496-1512-000