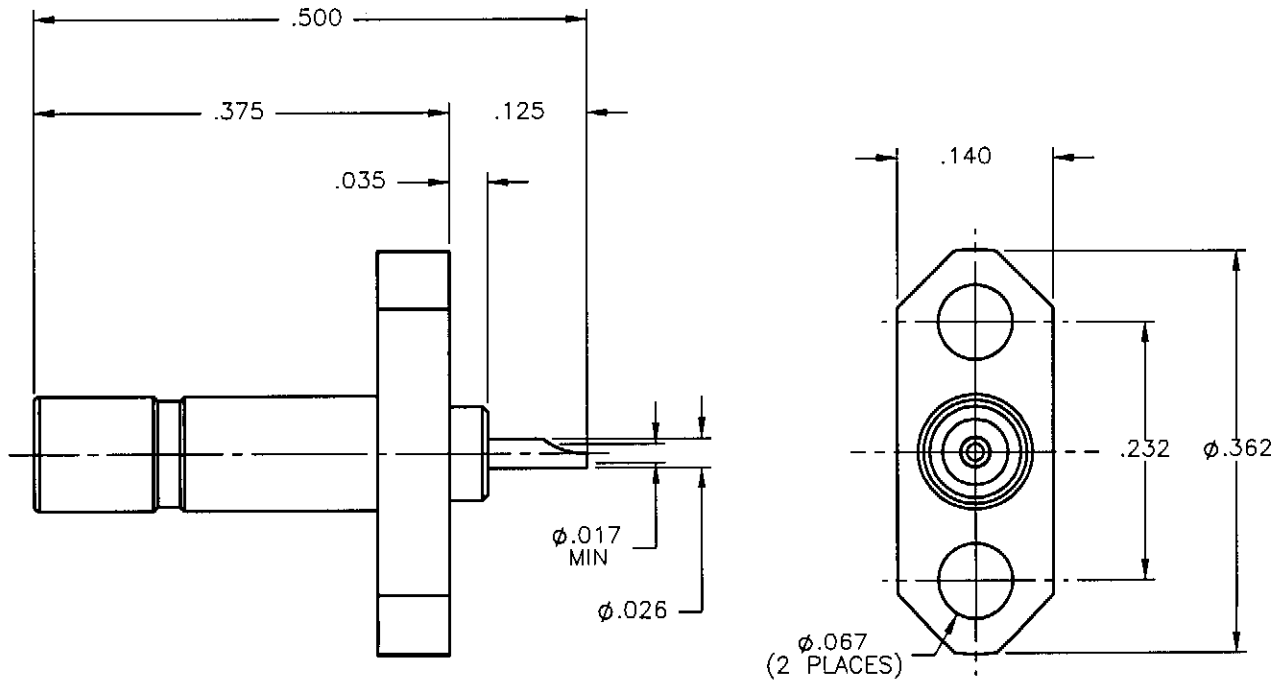
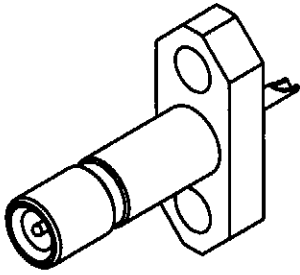


REVISIONS

REV.	DESCRIPTION	DATE	APPROVED
A	INITIAL RELEASE	06/24/09	M.J.



NOTES:

MATERIALS:

1. BODY & CONTACT = BERYLLIUM COPPER PER ASTM B196, ALLOY C17300, TEMPER TD04.
2. INSULATOR = VIRGIN WHITE TEFLON PER ASTM D1710, GRADE 1, TYPE I, CLASS "B".

FINISHES:

1. BODY = GOLD PLATE PER MIL-G-45204, TYPE II, CLASS O, GRADE C, OVER .00010 TO .00020 COPPER STRIKE PER MIL-C-14550.
2. CONTACT = GOLD PLATE PER MIL-G-45204, TYPE II, CLASS I, GRADE C, OVER .0001 TO .0002 COPPER STRIKE PER MIL-C-14550.

Property of Radiall Incorporated
This document cannot be reproduced or communicated to a third party without prior written permission of RADIALL Incorporated.

UNLESS OTHERWISE SPECIFIED DIMENSIONS ARE IN INCHES TOLERANCES ON		DWN: M.J.	DATE: 06/24/09	APPLIED ENGINEERING PRODUCTS 104 John W. Murphy Dr. New Haven, CT 06513
DECIMAL	ANGLE	CHKD: D.N.	DATE: 06/24/09	
		APVD: J.M.	DATE: 06/24/09	
REFERENCE:		MATERIALS & FINISHES:		SSMB STRAIGHT MALE JACK (2) HOLE FLANGE MOUNT SOLDER POT RECEPTACLE
ORIGINATED: M.J. DATE: 06/24/09		SEE NOTES		
		SIZE: A	FSCM NO.: 19505	DWG. NO.: 7499-1512-003
		SCALE: 6:1		THIRD ANGLE PROJECTION
				REV: A
				SHEET 1 OF 1

7499-1512-003