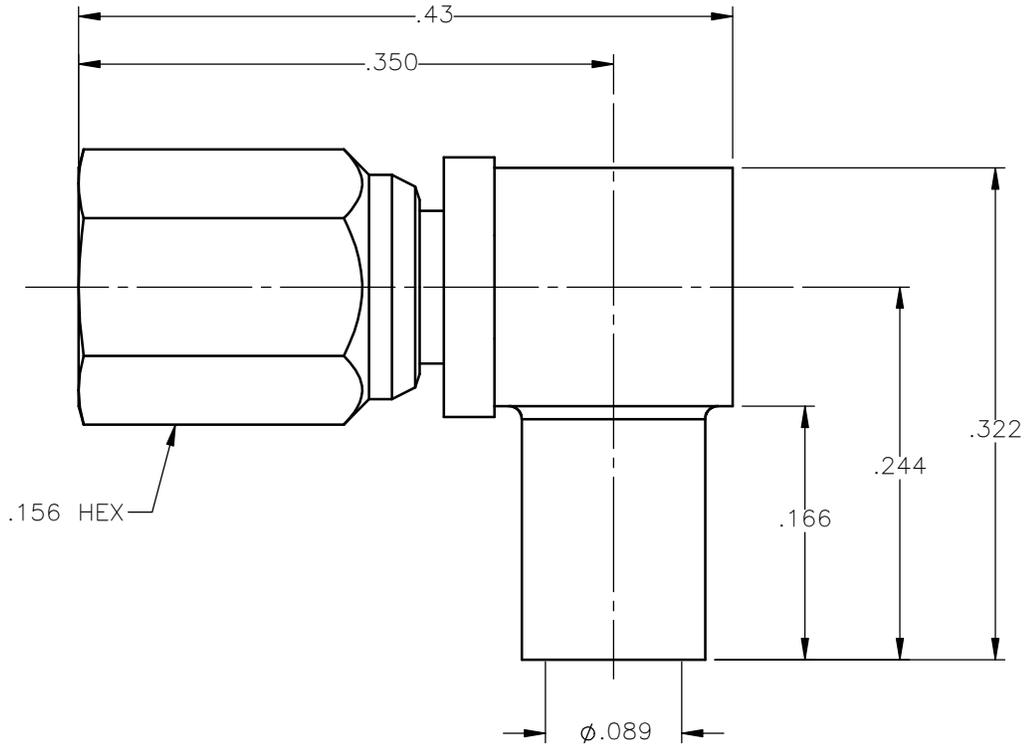
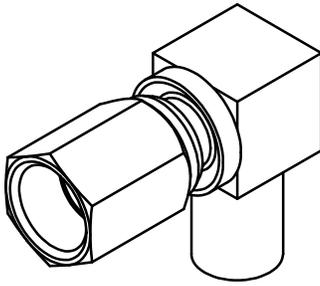


REVISIONS

REV.	DESCRIPTION	DATE	APPROVED
A	INITIAL RELEASE	07/10/13	J.S.



NOTES:

MATERIALS:

1. INSULATORS = VIRGIN WHITE TEFLON PER ASTM D1710, GRADE 1, TYPE I, CLASS "B".
2. SOLDER BODY & CAP = BRASS PER ASTM B16, ALLOY C36000, TEMPER H02.
3. ALL OTHER METAL PARTS = BERYLLIUM COPPER PER ASTM B196, ALLOY C17300, TEMPER TD04.

FINISHES:

1. CONTACT = GOLD PLATE PER MIL-G-45204, TYPE II, CLASS 1, GRADE C, OVER .00010 TO .00020 STRESS FREE SULFAMATE NICKEL PER QQ-N-290.
2. ALL OTHER METAL PARTS = GOLD PLATE PER MIL-G-45204, TYPE II, CLASS 0, GRADE C, OVER .00010 TO .00020 COPPER STRIKE PER MIL-C-14550.

TELEDYNE CONTROLLED CONNECTOR: NO CHANGES WITHOUT CUSTOMER APPROVAL

UNLESS OTHERWISE SPECIFIED DIMENSIONS ARE IN INCHES TOLERANCES ON	DWN: J.S.	DATE 07/10/13	 Property of Radiall This document cannot be reproduced or communicated to a third party without prior written permission of RADIALL.	
	CHKD: D.N.	DATE 07/10/13		
DECIMAL	ANGLE	APVD: J.M.	SSMC RIGHT ANGLE FEMALE PLUG DIRECT SOLDER TYPE FOR .086 S/R & SIMILAR CABLES	
REFERENCE: 2235 ORIGINATED: J.S. DATE: 07/10/13	MATERIALS & FINISHES: SEE NOTES		SIZE A	FSCM NO. 19505
			DWG NO. 7105-1561-210	REV A
			SCALE 8:1	THIRD ANGLE PROJECTION
			SHEET 1 OF 1	

7105-1561-210