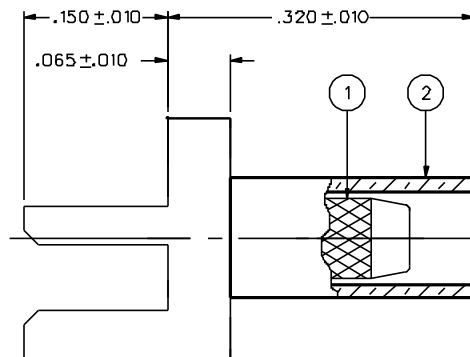
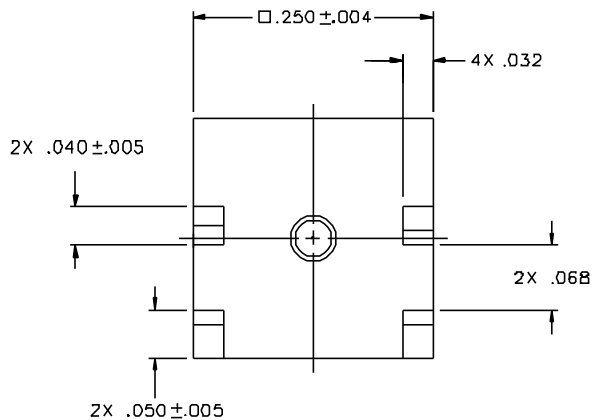
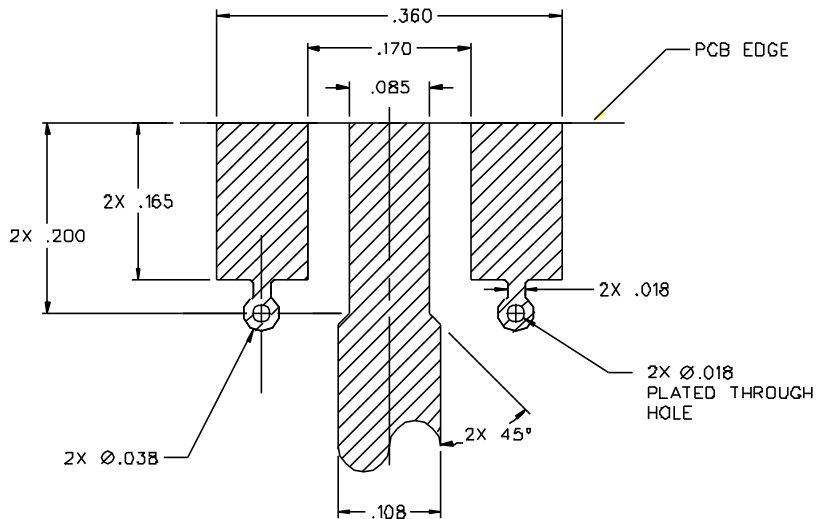


PART NUMBER	ITEM ① BODY	ITEM ② CRIMP SLEEVE
142-0002-801	BRASS GOLD PL .00001 MIN OVER NICKEL PL .00005 MIN OVER COPPER PL .00005 MIN	COPPER GOLD PL .00001 MIN OVER NICKEL PL .00005 MIN OVER COPPER PL .00005 MIN
142-0002-806	BRASS NICKEL PL .0001 MIN OVER COPPER PL .00005 MIN	COPPER NICKEL PL .0001 MIN OVER COPPER PL .00005 MIN

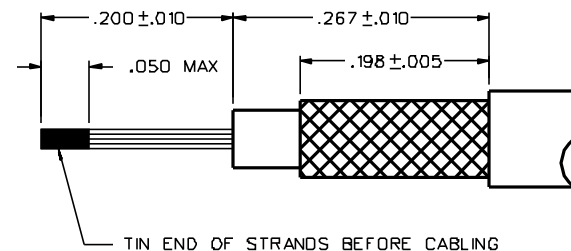
DRAWING NO. C - 142-0002-801/810	
0	REVISIONS
ENGINEERING RELEASE	
1	B-25-98 R H M M ECN 45B20



DIMENSIONS ARE SYMMETRICAL ABOUT THE CENTERLINE



TRACE WIDTH DIMENSIONS



CABLE STRIP DIMENSIONS

CUSTOMER DRAWING

THIS DRAWING TO BE INTERPRETED PER ANSI Y 14.5M - 1982

"μSTATION"

COMPANY CONFIDENTIAL

NOTES:

- SPECIFICATIONS:  
CABLE ACCEPTABILITY: RG 17B/U, RG 196/U  
CABLE HEX CRIMP SIZE: .105  
CABLE RETENTION: 10 LBS  
IMPEDANCE: 50 OHMS

TOLERANCE UNLESS OTHERWISE SPECIFIED	DRAWN BY KAS	DATE 5/19/98	 299 Johnson Ave. P.O. Box 1732 Waseca, MN 56093-0832
DECIMALS .XX	CHECKED BY KAS	DATE 8-27-98	
MM .XXX+- .003	APPROVED BY TAK	DATE 9-9-98	TITLE CABLE TERMINATION, 0.6B END LAUNCH, RG 17B
MATL	APPROVED BY RJB	DATE 9-11-98	CODE NO.
FINISH	RELEASE DATE		DRAWING NO. C - 142-0002-801/810
SCALE 10:1 U/M INCH			SHEET 2 OF 2