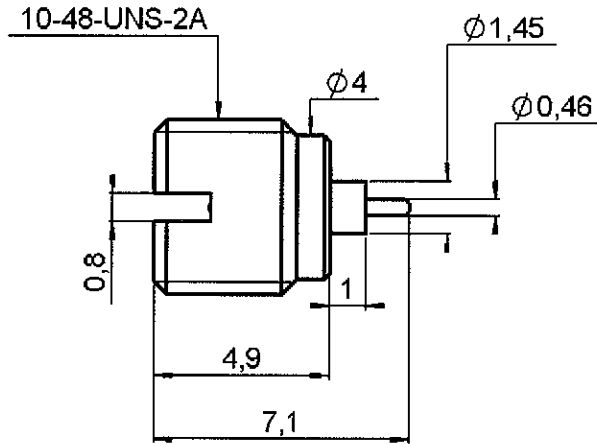


THREAD-IN MALE RECEPTACLE
FULL DETENT

R222.561.001

Series : SMP



All dimensions are in mm.



COMPONENTS	MATERIALS	PLATING (µm)
BODY	STAINLESS STEEL	PASSIVATED .
CENTER CONTACT	BERYLLIUM COPPER	GOLD 1.27 OVER NICKEL 1.27
OUTER CONTACT	-	-
INSULATOR	PTFE	-
GASKET	-	-
OTHERS PARTS	-	-
-	-	-
-	-	-

Issue : 0623 B

In the effort to improve our products, we reserve the right to make changes judged to be necessary.



THREAD-IN MALE RECEPTACLE
FULL DETENT

R222.561.001

Series : SMP

PACKAGING

Standard	Unit	Other
100	'W' option	Contact us

SPECIFICATION

ELECTRICAL CHARACTERISTICS

Impedance	50	Ω
Frequency	0-12	GHz
VSWR	1.3 + 0,0000	x F(GHz) Maxi
Insertion loss	0.12	√F(GHz) dB Maxi
RF leakage	- (NA	- F(GHz)) dB Maxi
Voltage rating	335	Veff Maxi
Dielectric withstanding voltage	500	Veff mini
Insulation resistance	5000	MΩ mini

ENVIRONMENTAL

Operating temperature	-65/+165	° C
Hermetic seal	NA	Atm.cm3/s
Panel leakage	NA	

OTHER CHARACTERISTICS

Assembly instruction

Others :

Voir page 3 . See page 3

MECHANICAL CHARACTERISTICS

Center contact retention		
Axial force – Mating end	NA	N mini
Axial force – Opposite end	NA	N mini
Torque	NA	N.cm mini

Recommended torque		
Mating	NA	N.cm
Panel nut	90	N.cm

Mating life	100	Cycles mini
Weight	0,4500	g

Issue : 0623 B

In the effort to improve our products, we reserve the right to make changes judged to be necessary.



THREAD-IN MALE RECEPTACLE

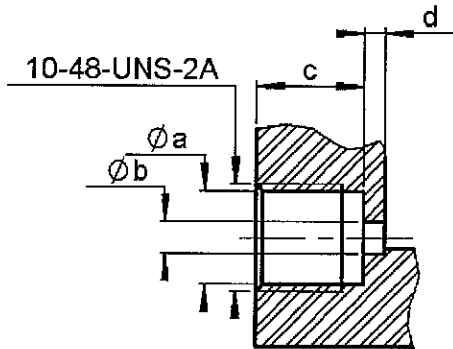
R222.561.001

FULL DETENT

Series : SMP

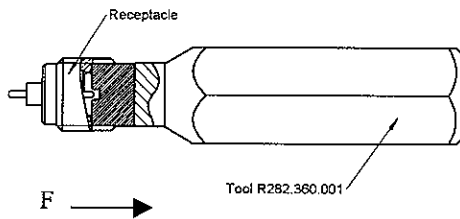
**ADDITIONAL INFORMATIONS
MOUNTING AND REPLEACEMENT INSTRUCTIONS**

Panel mounting hole

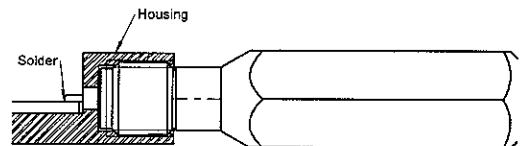


a	4,32
b	1,45 - 1,50
c	4,95
d	1,00

1. Connector must be screwed or unscrewed with adapted torque driver R282.339.001 (recommanded coupling torque : 90 Ncm) Screx driver : R282.360.001
- 2.
3. Slide on the connector in F direction until it stops against the tool.



4. Screw the whole into the housing until activation of the torque driver.
5. Withdraw the tool and solder the center contact



Issue : 0623 B

In the effort to improve our products, we reserve the right to make changes judged to be necessary.

