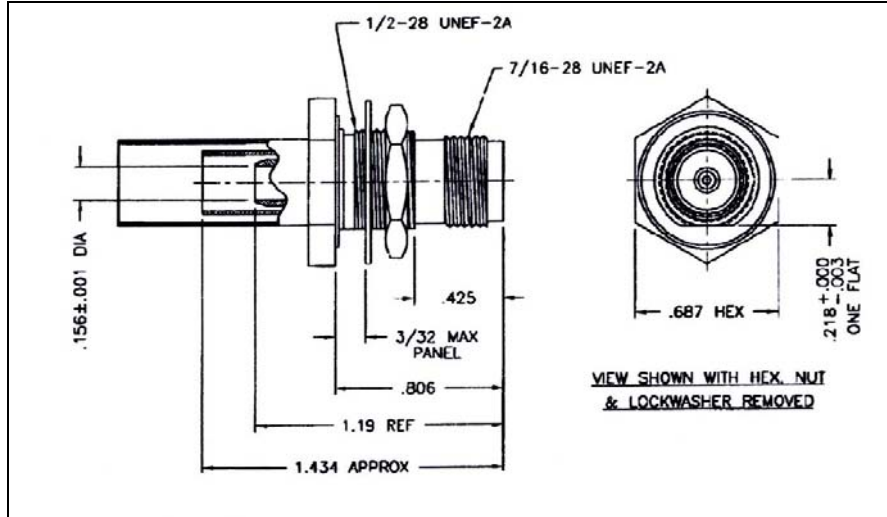


THE REVISION STATUS OF ALL SHEETS OF THIS DRAWING IS THE SAME AS SHEET 1

LTR	DESCRIPTION	DATE	BY
-	Released	9/11/02	JCL



**I. MATERIALS & FINISHES**

- center contact: Gold Plated Beryllium Copper
- outer contact: Silver Plated Brass
- body: Silver Plated Brass
- crimp sleeve: Silver Plated Copper
- dielectric: Teflon® PTFE
- gasket: Silicone Rubber
- shrink sleeve: Adhesive Lined Polyolefin
- attachment: braid crimp (.255"hex)

**II. ELECTRICAL PROPERTIES**

- impedance: 50 ohms
- working voltage: 500 vrms (max)
- vswr: 1.25:1 (max) up to 2.5 GHz
- insertion loss: 0.10 x √Fghz

Unless otherwise specified, dimensions are in inches. Tolerances are applicable when specified.

These drawings and specifications contain proprietary information which is the property of Times Microwave Systems.

Approvals		
Drawn	JCL	9/11/02



**TIMES MICROWAVE SYSTEMS**  
 Wallingford, CT 06492  
 (203) 949-8400; (203) 949-8423.Fax  
 www.timesmicrowave.com

**TC-240-TF-BH**  
 Type-TNC female Bulkhead  
 for M17/221-00001 Cable

Size A	CAGE CODE <b>68999</b>	Drawing No.: <b>3190-1156</b>
Scale: NA	Rev. (-)	Sheet: 1 of 1