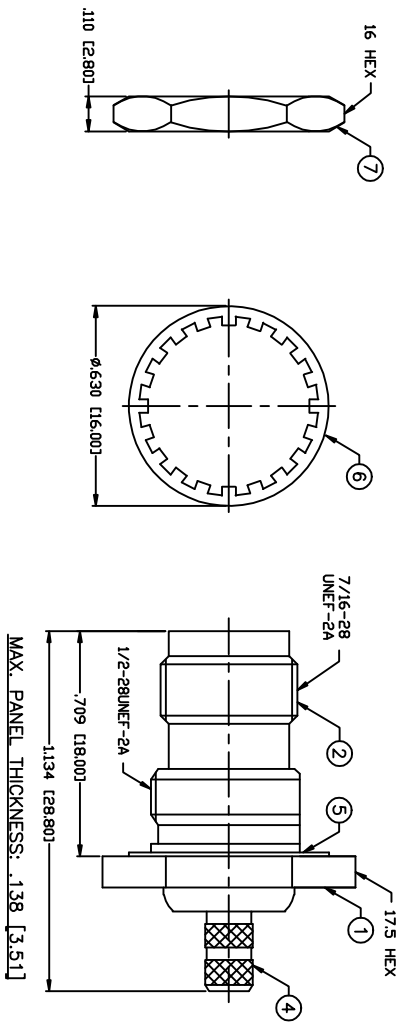


THIS DRAWING CONTAINS INFORMATION PROPRIETARY TO RF INDUSTRIES, ANY UNAUTHORIZED USE OF THIS DRAWING IS EXPRESSLY PROHIBITED WITHOUT WRITTEN PERMISSION FROM RF INDUSTRIES. ANY VIOLATION IS PUNISHABLE UNDER U.S. COPYRIGHT LAWS.

ALL DIMENSIONS ARE REFERENCE ONLY

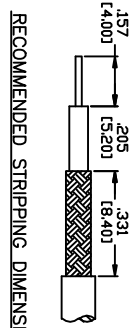
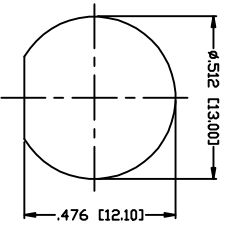
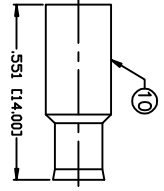


SPECIFICATIONS:

IMPEDANCE: 50 Ohms
 FREQUENCY RANGE: 0-7 GHz
 WORKING VOLTAGE: 500 Vrms
 INSULATION RESISTANCE: 5k M ohms min.
 TEMPERATURE RANGE: -65°C TO +85°C
 FOR RG-174, 188, 188A, 316/U, ALPHA 9174, 9316, BELDEN 8216, 83269, 83284, 84316 & TIMES LMR-100A CABLE

RECOMMENDED CRIMP DIE: .178"

RECOMMENDED MOUNTING HOLE



RECOMMENDED STRIPPING DIMENSIONS

#	DESCRIPTION	QTY	MATERIAL	FINISH	APPROVALS	DATE
1	BODY	1	BRASS	NICKEL, 100µ"		
2	TNC BODY	1	BRASS	NICKEL, 100µ"	0088974	
3	INSULATOR	1	DELIRIN	---		
4	FERRULE STUD	1	BRASS	NICKEL, 100µ"		
5	GASKET	1	RUBBER	---		
6	LOCK WASHER	1	BRASS	NICKEL, 100µ"		
7	HEX NUT	1	BRASS	NICKEL, 100µ"		
8	CONTACT	1	PHOS. BRONZE	GOLD, 3µ"		
9	SLEEVE	1	DELIRIN	---		
10	FERRULE	1	BRASS	NICKEL, 100µ"		
11					DRAWN	02/19/10
12					C. ZUNIGA	
13					CHECKED	
14					ORU DRAWN	
					K. MAXWELL	2/16/96

UNLESS OTHERWISE SPECIFIED:

- REMOVE ALL BURRS
- BREAK ALL CORNERS & EDGES .005 R. MAX.
- CHAMFER 1ST & LAST THREADS 45°
- SURFACE ROUGHNESS 63 FINISH MIL-STD-10
- DIMENSIONS ON COMMON CENTERS TO BE CONCENTRIC WITHIN .002 T.I.R.
- ALL DIMENSIONS ARE AFTER PLATING.

DIMENSIONS ARE IN INCHES AND [MILLIMETERS]

UNLESS OTHERWISE NOTED TOLERANCES ARE:

DECIMALS	DIAMETER
.XXX±.003 [0.08]	.XXX±.001 [0.03]
.XX±.005 [1.3]	.XX±.003 [0.08]

PART NO.		DESCRIPTION		DWN	DATE	APPROVED
RFT-1212-B		A	ENGINEERING RELEASE	KMM	2/16/96	R. RICE
		B	UPDATE DWG THROUGHOUT	CZI	10/6/99	R. RICE
		C	CHANGE SPECS, STRIPING & DWG NUMBER & FORMAT	CZI	06/19/02	JDMC
		D	CHANGE INSULATOR MATERIAL CALLOUT	CZI	02/19/10	JDMC

RF connectors
 DIVISION OF RF INDUSTRIES, LTD.

7610 MIRAMAR RD
 SAN DIEGO, CA 92126
 (858) 549-6340
 (858) 549-6345 FAX

TNC JACK, CRIMP

BULKHEAD

SIZE	CABLE GROUP	DWG NO.	REV
A	B	RFT-1212-B	D

SCALE: NTS CAD FILE OUTLINE SHEET 1 OF 1