

# ENVELOPE / ASSEMBLY DRAWING

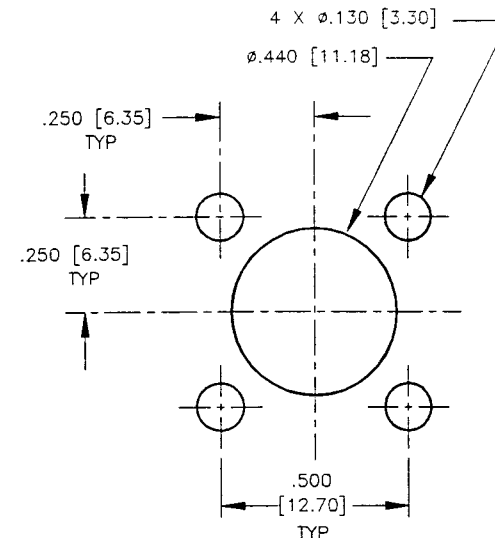
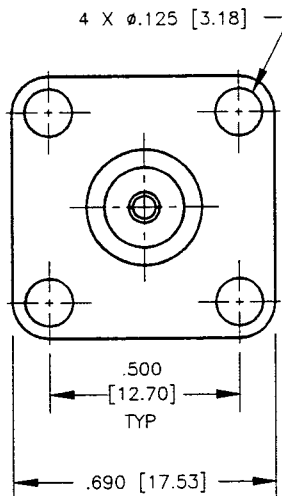
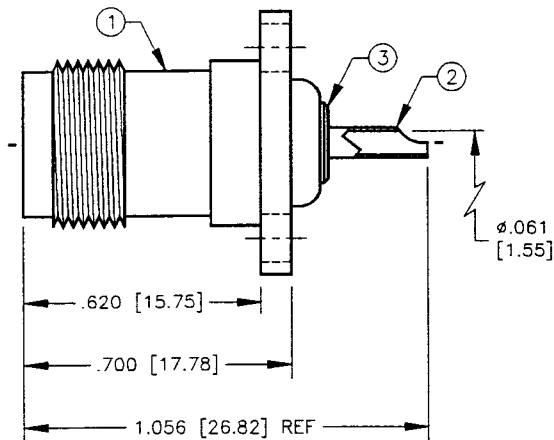
000000

## SPECIFICATION CONTROL DRAWING

THIS DRAWING CONTAINS INFORMATION PROPRIETARY TO RF INDUSTRIES, LTD. ANY UNAUTHORIZED USE OF THIS DRAWING IS EXPRESSLY PROHIBITED. ANY VIOLATION IS PUNISHABLE UNDER U.S. COPYRIGHT LAWS.

REV	DESCRIPTION	DWN	DATE	APPROVED
A	ENGINEERING RELEASE	KMM	12/6/89	J. BENZ
B	CREATE SECTION DRAWING	KMM	4/12/96	R. RICE
C	CHANGE CONTACT BARBS CONFIGURATION	CZS	9/14/98	R. RICE

ALL DIMENSIONS ARE REFERENCE ONLY



SUGGESTED MOUNTING CONFIGURATION

### SPECIFICATIONS:

IMPEDANCE: 50 OHMS  
 WORKING VOLTAGE: 500 VRMS @ SEA LEVEL  
 FREQUENCY RANGE: 0-7 GHz  
 INTERFACE PER MIL-STD-348A, SECTION 313.2

DIMENSIONS ARE IN INCHES AND [MILLIMETERS]  
 UNLESS OTHERWISE NOTED TOLERANCES ARE:  
 DECIMALS DIAMETER



7610 MIRAMAR RD  
 SAN DIEGO, CA 92126  
 (619) 549-6340  
 (619) 549-6345 FAX

## RFT-1210

TNC FEMALE 4 HOLE FLANGE

ITEM	DESCRIPTION	QTY	MATERIAL	FINISH
3	DIELECTRIC	1	TEFLON	NONE
2	CONTACT	1	BRASS	GOLD
1	BODY	1	BRASS	NICKEL

DRAWN	C. ZUNIGA	9/14/98
CHECKED	<i>[Signature]</i>	9/14/98
OR'D DRAWN	K. MAXWELL	12/6/89
APPROVALS		DATE

SIZE	CABLE GROUP	DWG NO.	REV
A	N/A	7611	C
SCALE:	2:1	CAD FILE	13ARC B
			SHEET 1 OF 1