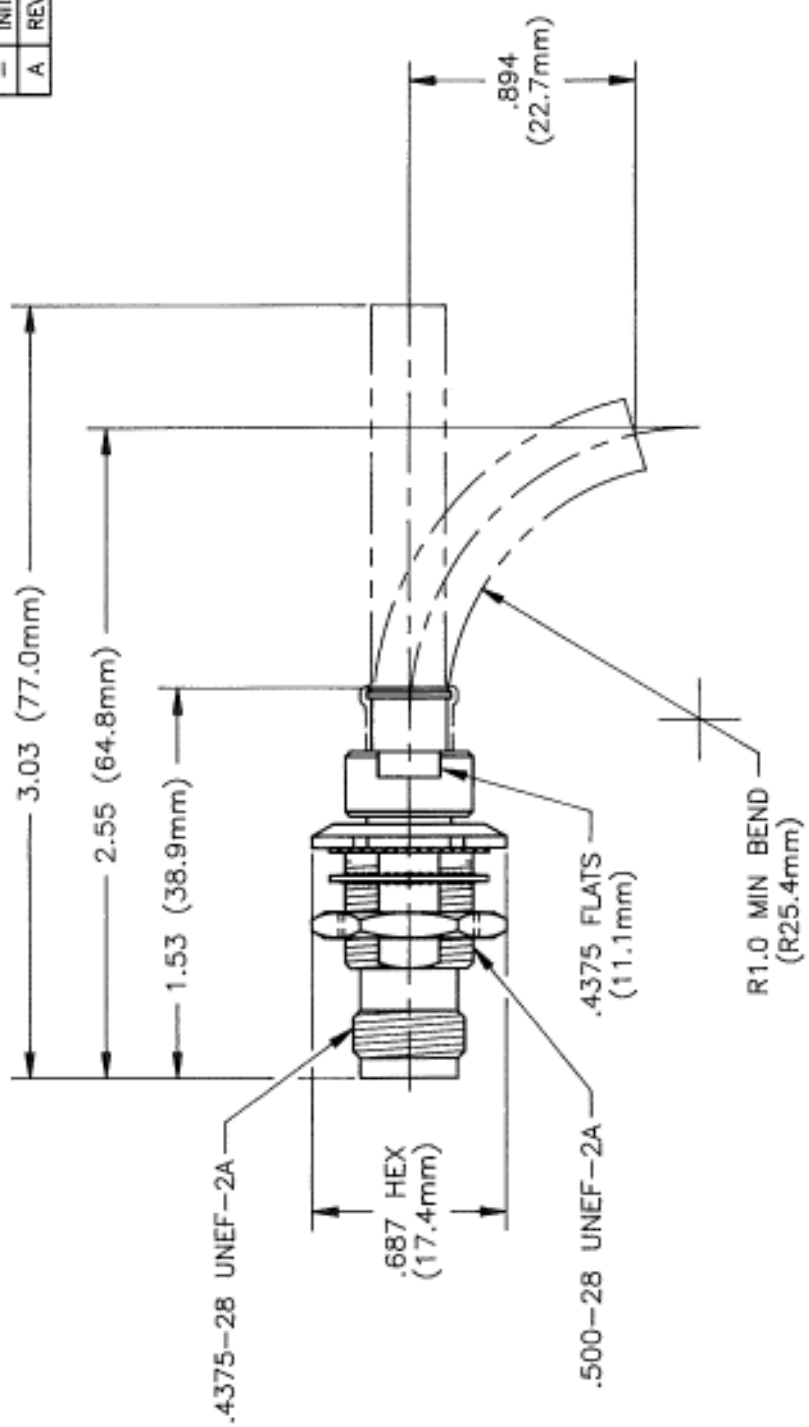


DWG NO. 20502-111 SH 1 REV-A

REVISIONS

REV	DESCRIPTION	DATE	APPROVED
-	INITIAL RELEASE.	96/01/18	R. JOHNSON
A	REV PER ECO 3823.	94/07/15	L. PULOTU



RECOMMENDED MOUNTING HOLE

NOTES: UNLESS OTHERWISE SPECIFIED.

1. REF: XTNC-C-J-BHD-HP190-PF-SC-16-XXXXXXX.

ITEM NO.	QTY REQD	FROM NO.	PART OR IDENTIFYING NO.	DESCRIPTION	NOMENCLATURE OR DESCRIPTION	MATERIAL SPECIFICATION	TYPE
PARTS LIST							
UNLESS OTHERWISE SPECIFIED DIMENSIONS ARE IN INCHES DECIMALS ANGLES FRACTIONS .001 1/16 1/8 1/4 1/2 3/4 1 1 1/2 2 2 1/2		CONTRACT NO.		5550 E. McDOWELL RD. MESA, ARIZONA 85215 (602) 985-9000			
MATERIAL SEE PARTS LIST		DRAWN BY M. BONE		DATE 05/07/13		Sorbus Inc	
FINISH		CHECKED BY B. NOTHUM		DATE 06/01/18		TNC BHD JACK TO HP190	
DO NOT SCALE DRAWING		APPROVED BY S. JACSON		DATE 06/01/18		SIZE (FROM NO.) B 60637	
NEXT ASST		APPROVED BY D. CHENIA		DATE 05/01/18		SCALE 2/1 SEM 02-09 (9/09)	
USED ON		APPLICATION		DWG NO. 20502-111		REV A	
				SHEET 1 OF 2			