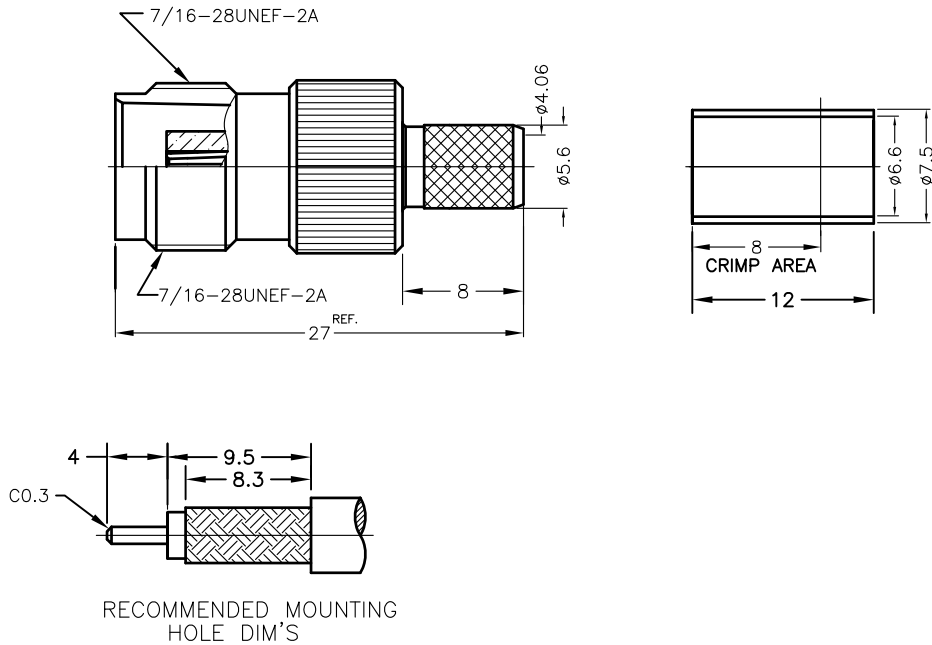


**NOTICE OF PROPRIETARY RIGHTS** THIS DOCUMENT CONTAINS CONFIDENTIAL TECHNICAL DATA, INCLUDING TRADE SECRETS, PROPRIETARY TO TIMES MICROWAVE SYSTEMS. DISCLOSURE OF THIS DATA IS EXPRESSLY CONDITIONED UPON YOUR ASSENT THAT ITS USE IS LIMITED TO USE WITHIN YOUR COMPANY ONLY. ANY OTHER USE IS STRICTLY PROHIBITED WITHOUT THE PRIOR WRITTEN CONSENT OF TIMES MICROWAVE SYSTEMS.

| SYM | REVISION DESCRIPTION    | DFTM   | DATE   | APPD   | DATE   |
|-----|-------------------------|--------|--------|--------|--------|
| A   | RELEASED FOR PRODUCTION | K.A.M. | 4/7/10 | J.D.B. | 5/6/10 |

REMARKS:  
1. CRIMPED FERRULE HEX. CRIMP SIZE .256"



| MATERIALS AND PLATING |                             | UNIT: MICRO-INCHES   |
|-----------------------|-----------------------------|----------------------|
| BODY                  | BRASS C3604<br>BRASS C3604  | NICKEL 200 u"/COPPER |
| CONTACT PIN           | C54400<br>PHOPSHOR BRONZE   | GOLD 30 μ " / NICKEL |
| INSULATOR             | TEFLON MIL-P-19468          | N/A                  |
| FERRULE               | COPPER                      | NICKEL 200 u"/COPPER |
| OTHER                 | BRASS C3604)<br>BRASS C3604 | NICKEL 200 u"/COPPER |

| (MECHANICAL CHARACTERISTICS)                        |                         |
|---|-------------------------|
| Cable Tension                                       | 60 lbs MIN.             |
| Center contact retention force<br>(Coupling torque) | 6 lbs MIN.<br>20 lbf-in |
| Coupling nut retention force                        | 100 lbs                 |
| Durability  | ≥ 500 cycles            |

| ELECTRICAL CHARACTERISTICS)      |   |
|----------------------------------|---|
| Impedance                        | 50 Ω  |
| Voltage rating                   | 500V(rms)                                       |
| Frequency range                  | 0~6GHz  |
| Dielectric withstanding voltage) | 1000V   |
| (Contact resistance)             | Center contact): ≤1.5mΩ<br>Outer contact) ≤1m Ω |
| (Insulation resistance)          | ≥5000MΩ   |
| Insertion loss                   | (According as the cable)                        |
| VSWR                             | ≤1.25@0-6GHz                                    |
| (3rd Intermodulation)            | N/A   |

| ENVIRONMENTAL CHARACTERISTICS |                                     |
|-------------------------------|-------------------------------------|
| Temperature range             | -55°C- +155°C                       |
| Thermal shock                 | US MIL- STD 202, Meth. 107, Cond. B |
| Vibration                     | US MIL- STD 202, Meth. 204, Cond. B |
| Shock                         | US MIL- STD 202, Meth. 213, Cond. I |
| Climatic class                | IEC 60068 65/165/21                 |

|             |                            |                  |                |   |
|-------------|----------------------------|------------------|----------------|---|
| MATL:       | UNLESS OTHERWISE SPECIFIED |                  | DFTM. K. A. M. | TIMES MICROWAVE SYSTEMS                         |
|             | ALL DIMENSIONS ARE IN mm   |                  | DATE 4/7/10    |   |
| USED ON:    | TOLERANCES ON DECIMALS     |                  | CHKD. J. D. B. | JACK, TNC TYPE "ST" 50 Ohm<br>FOR LMR-240 CABLE |
|             | .X ± 0.2      .XX ± 0.1    |                  | DATE 5/6/10    |   |
| SCALE: ~    | ANGLES ± 3                 |                  | APPD. J. D. B. | 1 of 1   SD3190-2552   A                        |
|             | SURFACE FINISH: 1.6μ       |                  | DATE 5/6/10    |   |
| DWG. SIZE A | DO NOT SCALE DRAWING       | CODE IDENT 68999 | DATE 5/6/10    | REV. A  |