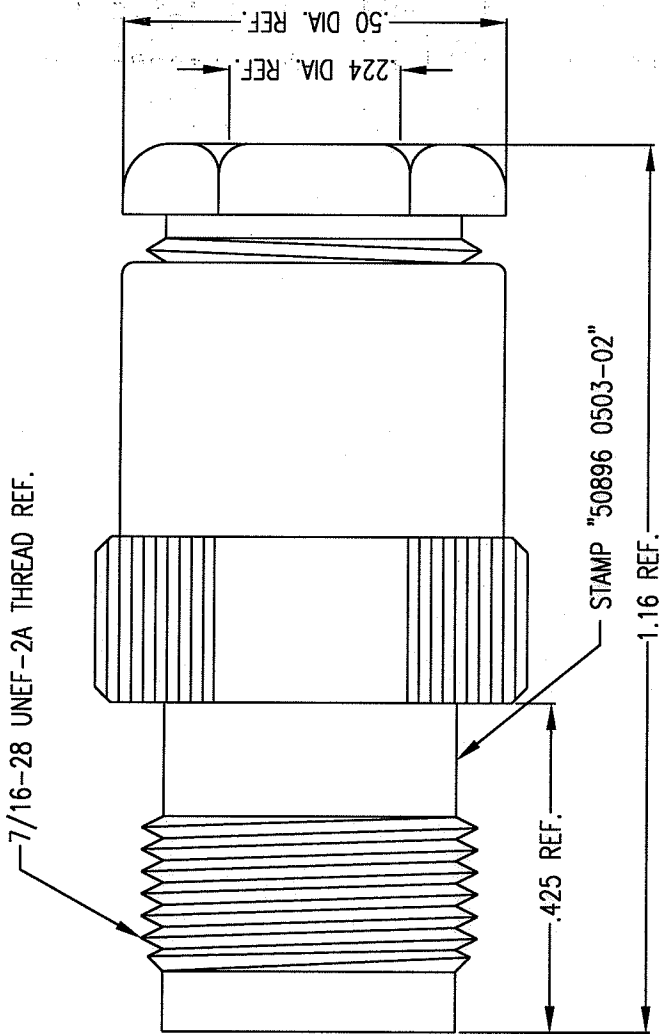
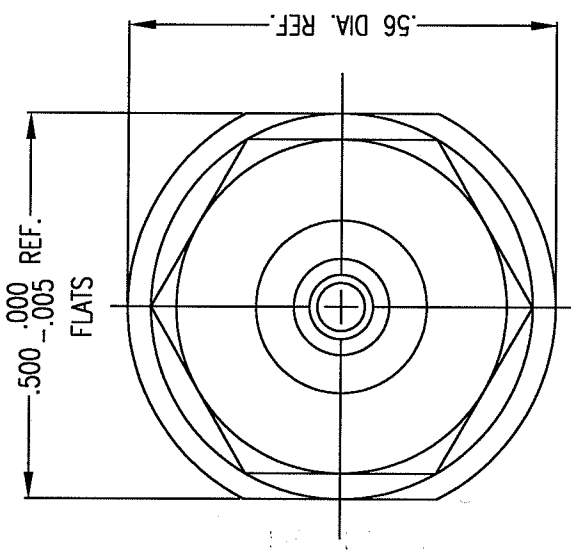


- 1.0 PERFORMANCE
- 1.1 FREQUENCY RANGE: DC-11GHz
- 1.2 VOLTAGE RATING: 500V RMS (sea level)
- 1.3 NOMINAL IMPEDANCE: 50 OHMS
- 1.4 DW: 1500 V RMS @ 60 Hz (sea level)
- 1.5 TEMPERATURE RANGE: -65°C TO +165°C

- 2.0 MATERIALS:
- 2.1 DIELECTRIC: TEFLON, ASTM-D-1710
- 2.2 CONTACT: BERYLLIUM COPPER ASTM-B-196
- 2.3 OTHER METAL PARTS: BRASS, ASTM-B-16
- 2.4 GASKET: SILICON RUBBER, ZZ-R-765, CUII, GR. 50, RED
- 3.0 FINISHES:
- 3.1 CENTER CONTACT: GOLD PLATED
- 3.2 ALL OTHER METAL PARTS: SILVER PLATED
- 4.0 MECHANICAL:
- 4.1 INTERFACE IN ACCORDANCE WITH MIL-STD-348



| | | | |
|--|------------------|--|-----------------------------|
| <p style="text-align: center;">SAN • TRON, INC.</p> <p style="text-align: center;">4 NEWBURYPORT TPK, IPSWICH, MA 01998</p> | | <p style="text-align: center;">TITLE TYPE TNC JACK FOR FOR RG 55, 58/U CABLE</p> | |
| | | <p>MATERIAL: SEE NOTE 2.0</p> | <p>FINISH: SEE NOTE 3.0</p> |
| <p>Rev. A</p> | <p>Revisions</p> | <p>Date</p> | <p>Dwn. Appd.</p> |
| <p>RECOM. STOCK SIZE FT/M PCS</p> | <p>QTY REQD</p> | <p>7/14/98</p> | <p>7/14/98</p> |
| <p>UNSPECIFIED TOL. DEC. ± .005 FRAC. ± 1/64 ANG. ± 1/2°</p> | | <p>DWN MM 7/14/98</p> | <p>CHKD SJS 8/3/98</p> |
| <p>APPR JTS 8/3/98</p> | | <p>CONCENTRICITY .004 TIR 63</p> | |
| <p>ALL MACHINED SURFACES</p> | | <p>SCALE 4:1</p> | |
| <p>FSCM NO. 50896</p> | | <p>DWG NO. OL-0503-02-1</p> | |
| <p>REV. A</p> | | <p>REV. A</p> | |

PROPRIETARY
 THIS DRAWING CONTAINS CONFIDENTIAL INFORMATION PROPRIETARY TO SAN•TRON INC. IT MUST NOT BE REPRODUCED OR DISCLOSED TO OTHERS OR USED IN ANY OTHER WAY, IN WHOLE OR PART EXCEPT AS AUTHORIZED IN WRITING BY SAN•TRON INCORPORATED.

REMOVE ALL BURRS AND SHARP EDGES .005 MAX. UNLESS OTHERWISE STATED ALL DIMENSIONS ARE IN INCHES AND APPLY AFTER PLATING