

ENVELOPE / ASSEMBLY DRAWING

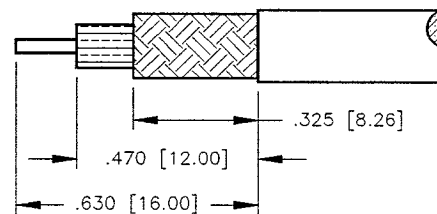
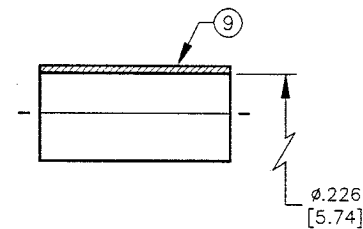
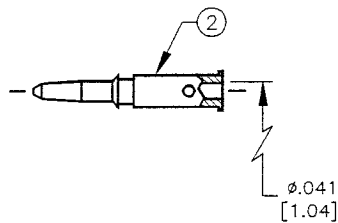
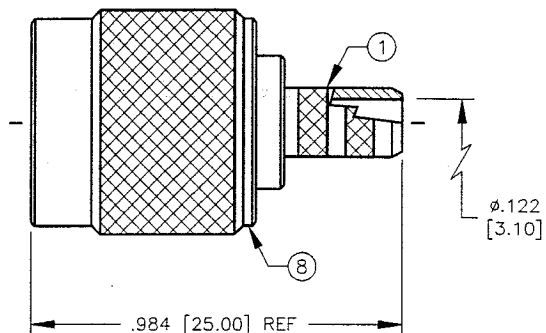
008974

SPECIFICATION CONTROL DRAWING

THIS DRAWING CONTAINS INFORMATION PROPRIETARY TO RF INDUSTRIES, LTD. ANY UNAUTHORIZED USE OF THIS DRAWING IS EXPRESSLY PROHIBITED. ANY VIOLATION IS PUNISHABLE UNDER U.S. COPYRIGHT LAWS.

| REV | DESCRIPTION | DWN | DATE | APPROVED |
|-----|---------------------|-----|--------|----------|
| A | ENGINEERING RELEASE | CZS | 6/7/99 | R. RICE |
| | | | | |
| | | | | |

ALL DIMENSIONS ARE REFERENCE ONLY



SUGGESTED STRIPPING INSTRUCTIONS
SUGGESTED CRIMP DIES: .068 & .213

SPECIFICATIONS:

IMPEDANCE: 50 OHMS
WORKING VOLTAGE: 500 VRMS @ SEA LEVEL
FREQUENCY RANGE: 0-7 GHz
INSERTION LOSS: ≤ -2 dB @ 3 GHz
VSWR MAX: 1.3:1 @ 3 GHz
FOR RG-55, 55A, 55B, 142, 142A, 142B & 223/U,
ALPHA 9055, 9055B, 9223, BELDEN 8219, 83242, 84142, 9907
INTERFACE PER MIL-STD-348A, SECTION 313.1

| QTY | DESCRIPTION | MATERIAL | FINISH |
|-----|--------------------|-------------|--------|
| 1 | FERRULE [FER-10C1] | BRASS | NICKEL |
| 1 | SHELL | BRASS | NICKEL |
| 1 | WASHER | BRASS | NICKEL |
| 1 | RING | DELTRIN | NONE |
| 1 | RETAINING RING | BRASS | NONE |
| 1 | GASKET | S.I. RUBBER | RED |
| 1 | DIELECTRIC | TEFLON | NONE |
| 1 | PIN | BRASS | GOLD |
| 1 | BODY | BRASS | NICKEL |

DIMENSIONS ARE IN INCHES AND [MILLIMETERS]

UNLESS OTHERWISE NOTED TOLERANCES ARE:
DECIMALS DIAMETER

| | | |
|----------|------------------|---------|
| DRAWN | C. ZUNIGA | 6/7/99 |
| CHECKED | <i>J. Zuniga</i> | 6/16/99 |
| OR DRAWN | C. ZUNIGA | 6/7/99 |

RFconnectors
DIVISION OF RF INDUSTRIES, LTD.

7610 MIRAMAR RD
SAN DIEGO, CA 92126
(619)549-6340
(619)549-6345 FAX

RFT-1202-2TC1

TNC MALE CRIMP

| | | | |
|--------|-------------|----------|---------|
| SIZE | CABLE GROUP | DWG NO. | REV |
| A | C1 | 9189 | A |
| SCALE: | 2:1 | CAD FILE | 13ARC B |
| SHEET | | 1 OF 1 | |