

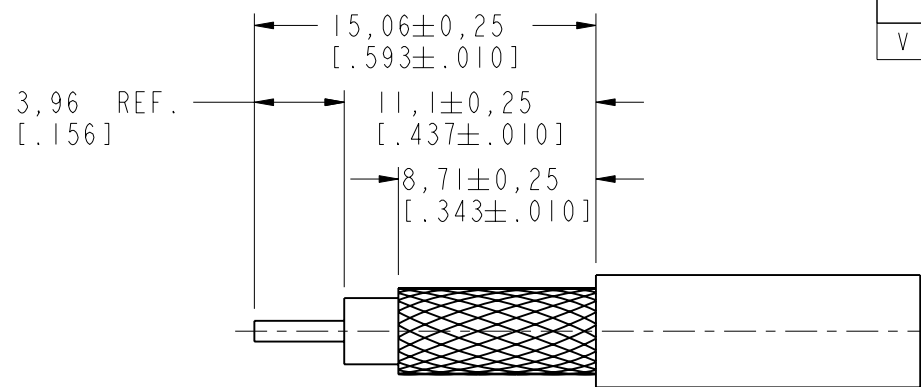
NOTES:

1. MATERIALS AND FINISHES:  
 BODY - BRASS, NICKEL PLATING  
 CONTACT - BRASS, GOLD PLATING  
 INSULATOR - PTFE
2. ELECTRICAL:  
 A. IMPEDANCE: 50 OHM
3. MECHANICAL:  
 A. DURABILITY: 500 CYCLES MIN.  
 B. TEMPERATURE RANGE: -65° C TO +165° C
4. PACKAGING:  
 A. QUANTITY: SINGLE PACK  
 B. MARKING: BAG TO BE MARKED  
 "AMPHENOL RF, 31-2367, AND DATE CODE"  
 C. FERRULE & CONTACT ARE SHIPPED LOOSE
5. SHOWS CABLE ENTRY DIMENSIONS.
6. CUSTOMER NOTE: SOLDER CONTACT TO CABLE.  
 WHEN CRIMPING CONTACT TO CABLE, CRIMP WITH AMPHENOL TOOL 227-944 (M22520/5-01)  
 AND DIE SET 227-1221-11, CAVITY 'B' (M22520/5-11 CLOSURE 'B')
7. CRIMP WITH AMPHENOL TOOL 227-944 (M22520/5-01) AND DIE  
 SET 227-1221-11, CAVITY 'A' (M22520/5-11, CLOSURE 'A').

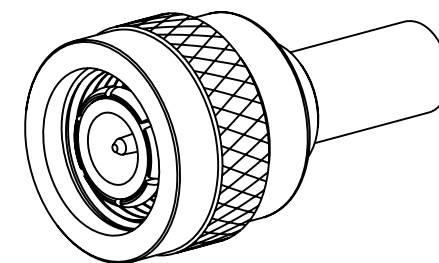
THIRD ANGLE PROJ.

REVISIONS

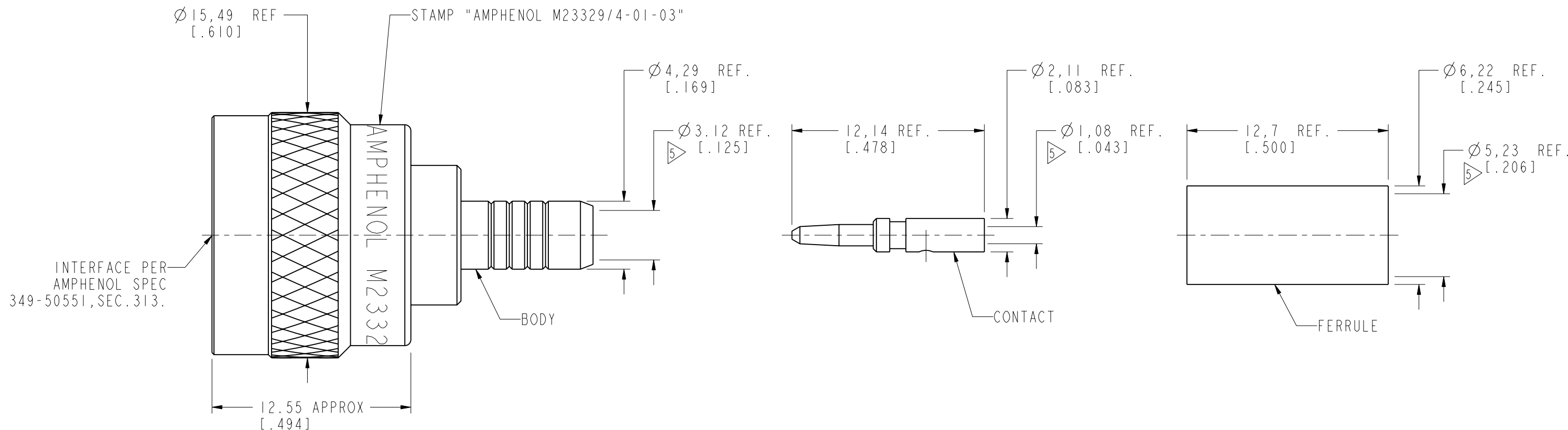
REV	DESCRIPTION	DATE	ECO	APPR
	RELEASE TO MFG.			
V	ADDED COD; STAMP "AMPHENOL" WAS "74868" \RD-DMI2092001R3	19-Oct-12	49079	SH



**RECOMMENDED CABLE STRIPPING DIMENSIONS**



SCALE 2.000



**CUSTOMER OUTLINE DRAWING**

ALL OTHER SHEETS ARE FOR INTERNAL USE ONLY

UNLESS OTHERWISE SPECIFIED, DIMENSIONS ARE IN METRIC AND TOLERANCES ARE: <0.5mm ±0.05mm    0.5 - 6mm ±0.1mm    6 - 30mm ±0.2mm    30 - 120mm ±0.3mm    ANGLES ±1°	MATERIAL	DRAWN R. MAO	DATE 13-Aug-12	TITLE TNC PLUG MIL-CRIMP 23329 FOR RG58 & 141/U CABLE	Amphenol RF www.amphenolrf.com
	REFERENCE EAR # 961603    AND	ENGINEER S. LI	DATE 13-Aug-12		
NOTICE - These drawings, specifications, or other data (1) are, and remain the property of Amphenol corp. (2) must be returned upon request; and (3) are confidential and not to be disclosed to any person other than those to whom they are given by Amphenol Corp. the furnishing of these drawings, specifications, or other data by Amphenol Corp., or to any other person to anyone for any purpose is not to be regarded by implication or otherwise in any manner licensing, granting rights to permitting such holder or any other person to manufacture, use or sell any product, process or design, patented or otherwise, that may in any way be related to or disclosed by said drawings, specifications, or other data.	CONFIGURATION LEVEL: <input type="checkbox"/> <input type="checkbox"/> <input type="checkbox"/>	APPROVED S. HSIEH	DATE 13-Aug-12	SCALE: 4.0:1.0    SHEET 2 OF 2	ITEM NO. 31-2367
	FINISH	CAD FILE	DWG SIZE B	REV V	PART NO. 31-2367