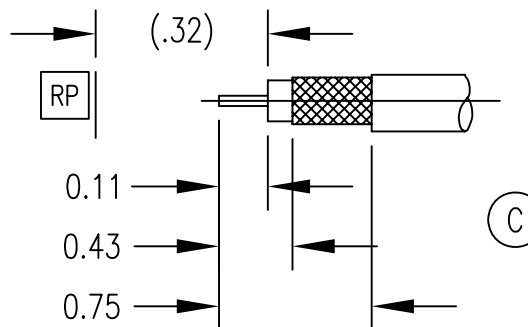
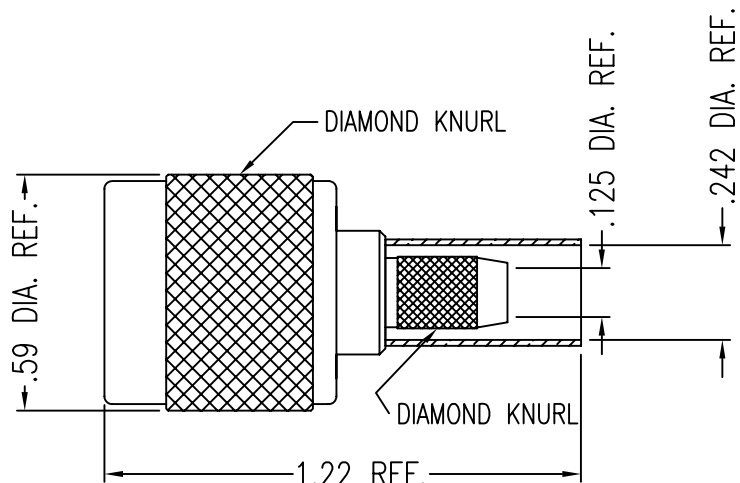


- 1.0 PERFORMANCE
- 1.1 FREQUENCY RANGE: DC-11GHz
- 1.2 VOLTAGE RATING: 500V RMS (sea level)
- 1.3 NOMINAL IMPEDANCE: 50 OHMS
- 1.4 DWV: 1500 V RMS @ 60 Hz (sea level)
- 1.5 TEMPERATURE RANGE: -65°C TO +165°C
- 2.0 MATERIALS
- 2.1 DIELECTRICS: PTFE

- 2.2 GASKET: SILICON RUBBER, ZZ-R-765, GR. 50, RED.
- 2.3 LOCKING RING: PHOSPHOR BRONZE, ASTM-B-159, ALLOY 510.
- 2.4 CRIMP FERRULE: DHP COPPER, CDA-122, SOFT TEMPER
- 2.5 ALL OTHER METAL PARTS: BRASS, ASTM-B-16
- 3.0 FINISHES
- 3.1 CENTER CONTACTS: SEE TABLE
- 3.2 ALL OTHER METAL PARTS: SEE TABLE
- 4.0 MECHANICAL
- 4.1 INTERFACE IN ACCORDANCE WITH MIL-STD-348

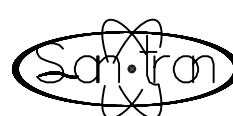
DWG NO. OL-0501-06*-1		REV. C
* STI PART NO.	BODY PLATING	CONTACT PLATING
0501-06	NICKEL	SILVER
0501-06 NI/GOLD	NICKEL	GOLD
0501-06 SI	SILVER	SILVER



CABLE PREPERATION DETAIL
(NOT TO SCALE)
HEX SIZE: .213

C	ADDED CABLE PREP DETAIL	7/12/10	RJG	,
B	ADDED CABLE PREP NOTE, UPDATED CRIMP FERRULE	1/8/09	JTH	FSH
A	ORIGINAL	2/23/99	X	X
Rev.	Revisions	Date	Dwn.	Appd.
RECOM. STOCK SIZE	FT/M PCS	QTY REQD		

PROPRIETARY
THIS DRAWING CONTAINS CONFIDENTIAL INFORMATION PROPRIETARY TO SAN*TRON INC. IT MUST NOT BE REPRODUCED OR DISCLOSED TO OTHERS OR USED IN ANY OTHER WAY, IN WHOLE OR PART EXCEPT AS AUTHORIZED IN WRITING BY SAN*TRON INCORPORATED.



SAN • TRON, INC.

4 NEWBURYPORT TPK, IPSWICH, MA 01938

REMOVE ALL BURRS AND SHARP EDGES .005 MAX.
UNLESS OTHERWISE STATED ALL DIMENSIONS ARE IN INCHES AND APPLY AFTER PLATING

TITLE TNC CRIMP CAPTIVE CONTACT
PLUG FOR RG-55, 142 & 400/U

UNSPECIFIED TOL.	DWN	MM	2/23/98
DEC. ± .005	CHKD	SJS	2/26/99
FRAC. ± 1/64	APPR		
ANG. ± 1/2°			

MATERIAL: SEE NOTE 2.0
FINISH: SEE TABLE

CONCENTRICITY .004 TIR
ALL MACHINED SUFACES ✓

FSCM NO. 50896	DWG NO.	REV.
SCALE 4:1	OL-0501-06*-1	C