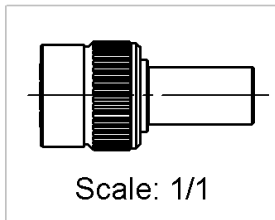
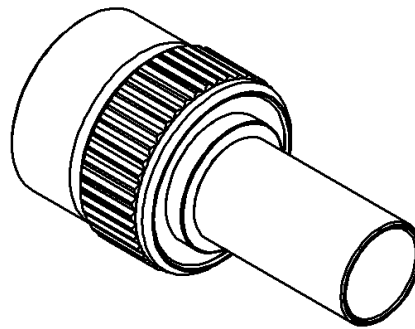
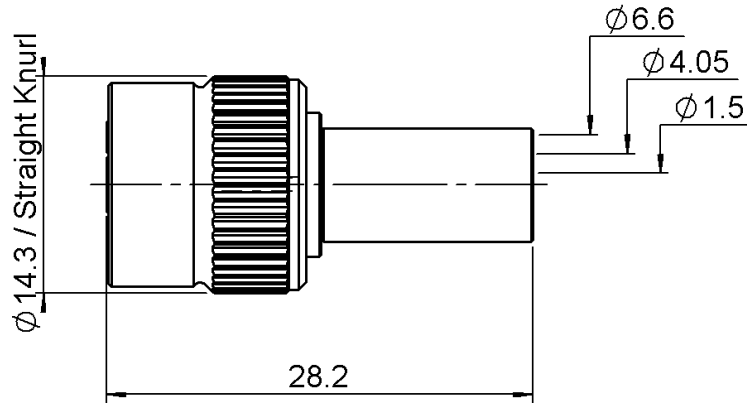


STRAIGHT PLUG CRIMP TYPE

R143.084.161

CABLE 6.1/50D

Series : TNC



All dimensions are in mm.

COMPONENTS	MATERIALS	PLATING (μm)
BODY	BRASS	BBR
CENTER CONTACT	BRASS	NPGR
OUTER CONTACT		
INSULATOR	PTFE + POLYPROPYLENE	
GASKET	SILICONE RUBBER	
OTHERS PARTS	BRASS	NICKEL, BBR
-	-	-
-	-	-

Issue : 1230 A

In the effort to improve our products, we reserve the right to make changes judged to be necessary. This document contains proprietary information and such information shall not be disclosed to any third party for any purpose whatsoever or used for manufacturing purposes without prior written agreement from RADIALL



STRAIGHT PLUG CRIMP TYPE

R143.084.161

CABLE 6.1/50D

Series : TNC

PACKAGING

Standard	Unit	Other
100	-	Contact us

SPECIFICATION

ELECTRICAL CHARACTERISTICS

Impedance		50 Ω
Frequency		0-11 GHz
VSWR	1.3* +	0,0000 x F(GHz) Maxi
Insertion loss		0.06 √F(GHz) dB Maxi
RF leakage	- (NA - F(GHz)) dB Maxi
Voltage rating		500 Veff Maxi
Dielectric withstanding voltage		1500 Veff mini
Insulation resistance		5000 MΩ mini

CABLE ASSEMBLY

Stripping	a	b	c	d	e	f
mm	5,50	10,0	17,7	0,00	12,2	0,00

Assembly instruction : **SEE PAGE 3**

Recommended cable(s)
LMR 240
KSR240

Characteristics indicated on this data sheet are those that can be achieved with the highest performance cable. Intrinsic limitations of the cable may diminish the performance of the assembly

Cable retention

- pull off	200 N mini
- torque	NA N.cm

MECHANICAL CHARACTERISTICS

Center contact retention		
Axial force – Mating end	10 N mini	
Axial force – Opposite end	10 N mini	
Torque	NA N.cm mini	

TOOLING

Part Number	Description	Hexagon
.	.	.
R282.223.000	CRIMPING TOOL	
R282.235.013	CRIMPING DIES	
R282.293.000	CRIMPING TOOL M22520/5-01	

Recommended torque		
Mating	NA N.cm	
Panel nut	NA N.cm	
Clamp nut	NA N.cm	
A/F clamp nut	0,0000 mm	

Mating life	100 Cycles mini
Weight	10,4430 g

OTHER CHARACTERISTICS

*1.15 max@DC-3GHz, 1.3 max@3-6GHz

ENVIRONMENTAL

Operating temperature	-35/+70 °C
Hermetic seal	NA Atm.cm3/s
Panel leakage	NA

Issue : 1230 A

In the effort to improve our products, we reserve the right to make changes judged to be necessary.
This document contains proprietary information and such information shall not be disclosed to any third party for any purpose whatsoever or used for manufacturing purposes without prior written agreement from RADIALL



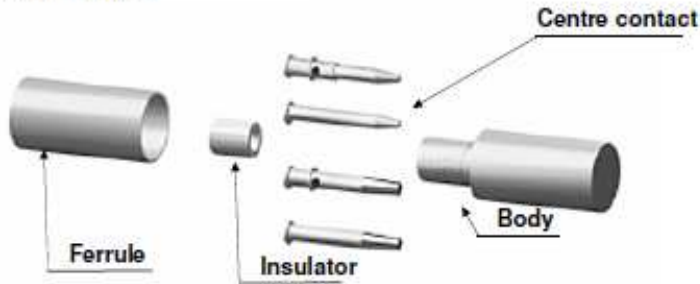
STRAIGHT PLUG CRIMP TYPE

R143.084.161

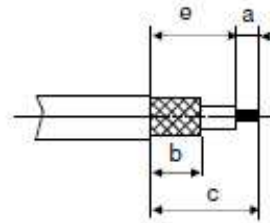
CABLE 6.1/50D

Series : TNC

COMPONENTS



STRIPPING DIMENSIONS



- 1**

Slide the ferrule onto the cable.
Strip the cable.
- 2**

Fan the braid.
Slide the insulator on the cable centre contact until it bottoms against the cable dielectric.
- 3**

Slide on the centre contact until it bottoms against the additional insulator.
Solder the centre contact with crimping tool.
Clean solder area if necessary.
- 4**

Slide cable into body until it bottoms against insulator.
- 5**

Slide the ferrule over the braid.
- 6**

Crimp the ferrule with crimping tool (see connector TDS).
Cut the excess of braid if necessary.

Issue : 1230 A

In the effort to improve our products, we reserve the right to make changes judged to be necessary.
This document contains proprietary information and such information shall not be disclosed to any third party for any purpose whatsoever or used for manufacturing purposes without prior written agreement from RADIALL

