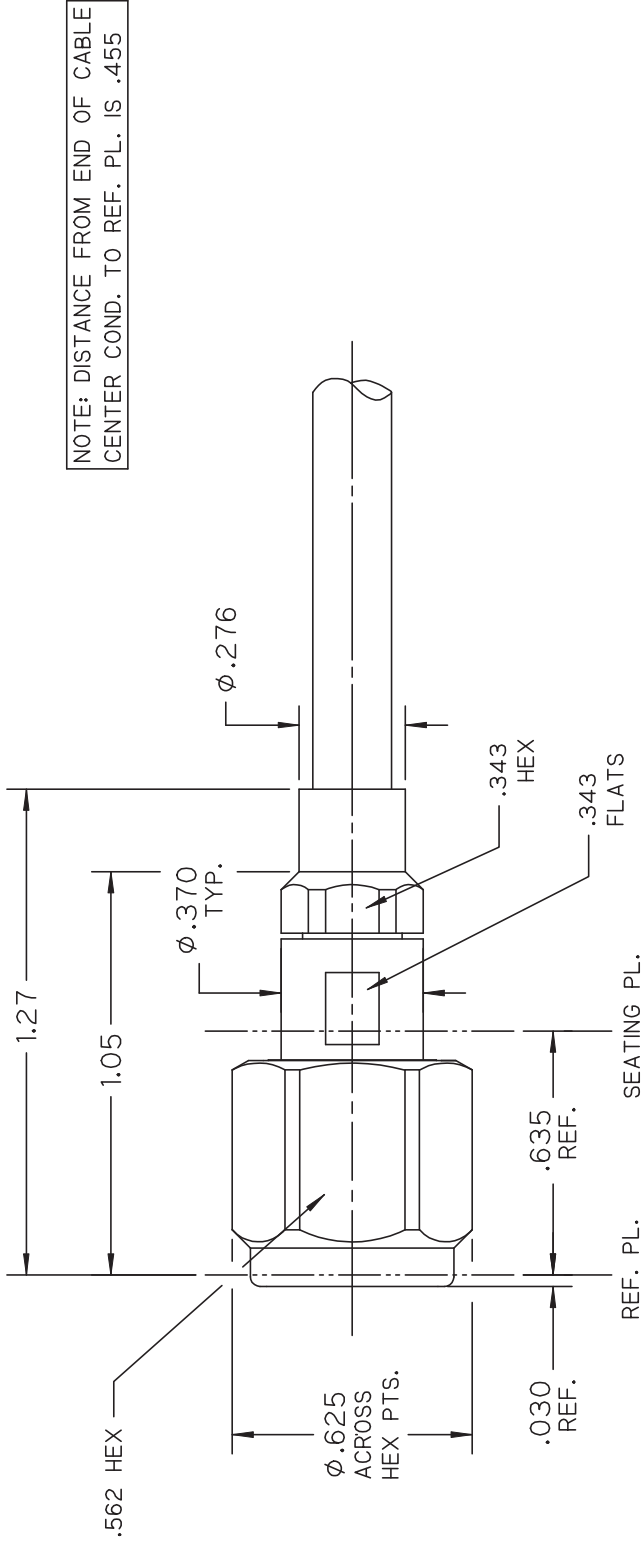


***** THIS DRAWING AND ITS CONTENTS ARE THE SOLE PROPERTY OF PRECISION CONNECTOR *****
 INC. AND ARE SUBJECT TO CHANGE WITHOUT NOTICE UNLESS OTHERWISE SPECIFIED

REV.	DESCRIPTION	DATE	BY	APPVD
A	INITIAL RELEASE	03/23/10	MJK	MJK



NOTES : REF. PL. SEATING PL.

1.0 MATERIALS:

- 1.1 BODY, COUPLING & CLAMP NUTS: STEEL, CORROSION RESISTANT PER ASTM-A582, UNS NO. S30300.
- 1.2 CENTER COND.: BERYLLIUM COPPER PER ASTM-B196, UNS C17300.
- 1.3 SOLDER FERRULE: BRASS PER ASTM-B16, UNS C36000.
- 1.4 LOCK RING: BERYLLIUM COPPER PER ASTM-B197, UNS C17200.
- 1.5 GASKET & O-RING: SILICONE RUBBER PER A-A-59588.
- 1.6 INSULATOR: PTFE FLUOROCARBON PER ASTM-D1710.
- 1.7 DIEL. BEADS: POLYETHERIMIDE THERMOPLASTIC (ULTEM 1000) PER ASTM-D5205.

2.0 FINISHES:

- 2.1 CENTER CONTACT & SOLDER FERRULE: GOLD PLATE PER ASTM-B488, 50 MICRONS MIN. THK. OVER ELECTROLYTIC NICKEL PLATE PER ASTM-B689 50 MICRONS MIN. THK.
- 2.2 BODY, COUPLING & CLAMP NUTS: PASSIVATE PER SAE-AMS-2700.
- 2.3 GASKET, O-RING, LOCK RING & DIELECTRICS: NONE.
- 3.0 INTERFACE: TNCA PLUG PER MIL-STD-348, FIGURE 313-3.



Precision Connector, Inc.

TOLERANCES UNLESS OTHERWISE SPECIFIED	DRAWN BY:	MJK	TITLE :	REV
.XX ± .02	DATE:	03/23/10	TNCA PLUG, SOLDER CLAMP FOR SEMFLEX HP190 CABLE	
.XXX ± .005	CAGE CODE	4MJR5	SCALE	DRAWING NUMBER
.XXXX ± .0005			5:1	3303-01
ANGLES ± 2°	SHEET NO.	1 OF 1		A