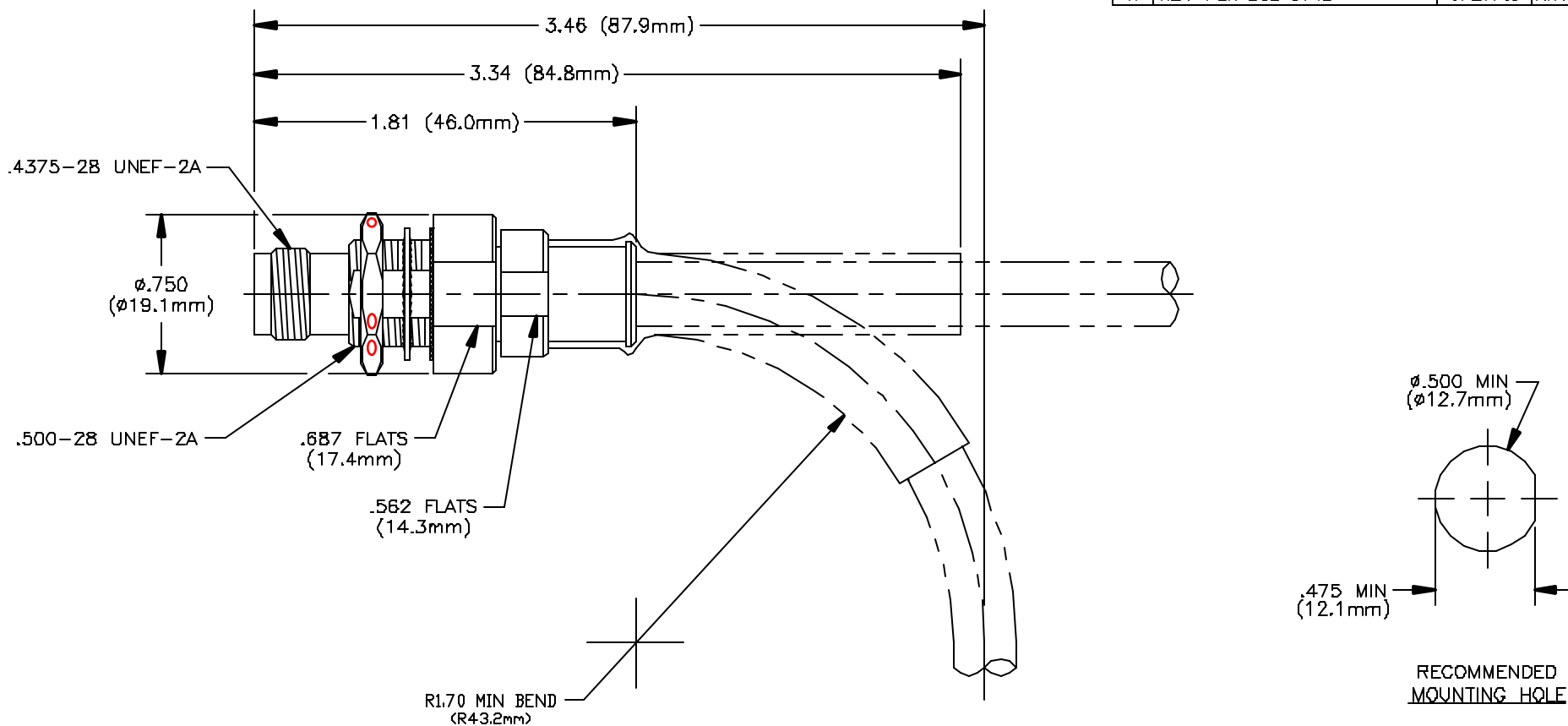


# 21045-112 Wire Hole Nut



REVISIONS			
REV	DESCRIPTION	DATE	APPROVED
-	INITIAL RELEASE.	3/2/01	NAVARETTE
A	REV PER ECO 5742	9/27/01	NAVARETTE

NOTES: UNLESS OTHERWISE SPECIFIED.  
 1. REF: ETNC-C-J-BHD-LA290-PF-SC-18-XXXXXX.

UNLESS OTHERWISE SPECIFIED DIMENSIONS ARE IN INCHES TOLERANCES ARE: FRACTIONS DECIMALS ANGLES ± .001 ± .01 ± 2° ± .001 ± .005	CONTRACT NO.				5550 E. McDOWELL RD. MESA, ARIZONA 85215 (602) 985-9000	
	SIGNATURES	DATE				
MATERIAL SEE PARTS LIST	DRAWN BY D. SMITH	01/02/08	ETNC BHD JACK TO LA290		SIZE B	FSCM NO. 60637
FINISH	CHECKED BY E. CLYATT	01/02/22	DWG NO. 21045-		REV	
DO NOT SCALE DRAWING	APPROVED BY E. CLYATT	01/02/22	SCALE 2/1		ENF13 (02/14/97)	
	APPROVED BY M. GEIGHER	01/02/23	SHEET 1 OF 2			