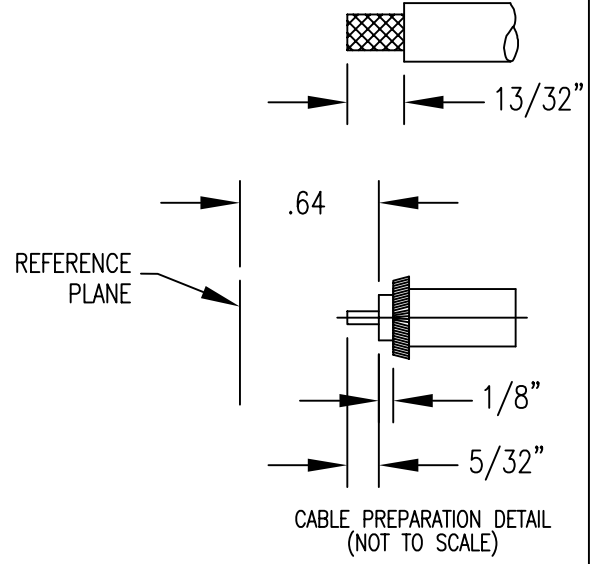
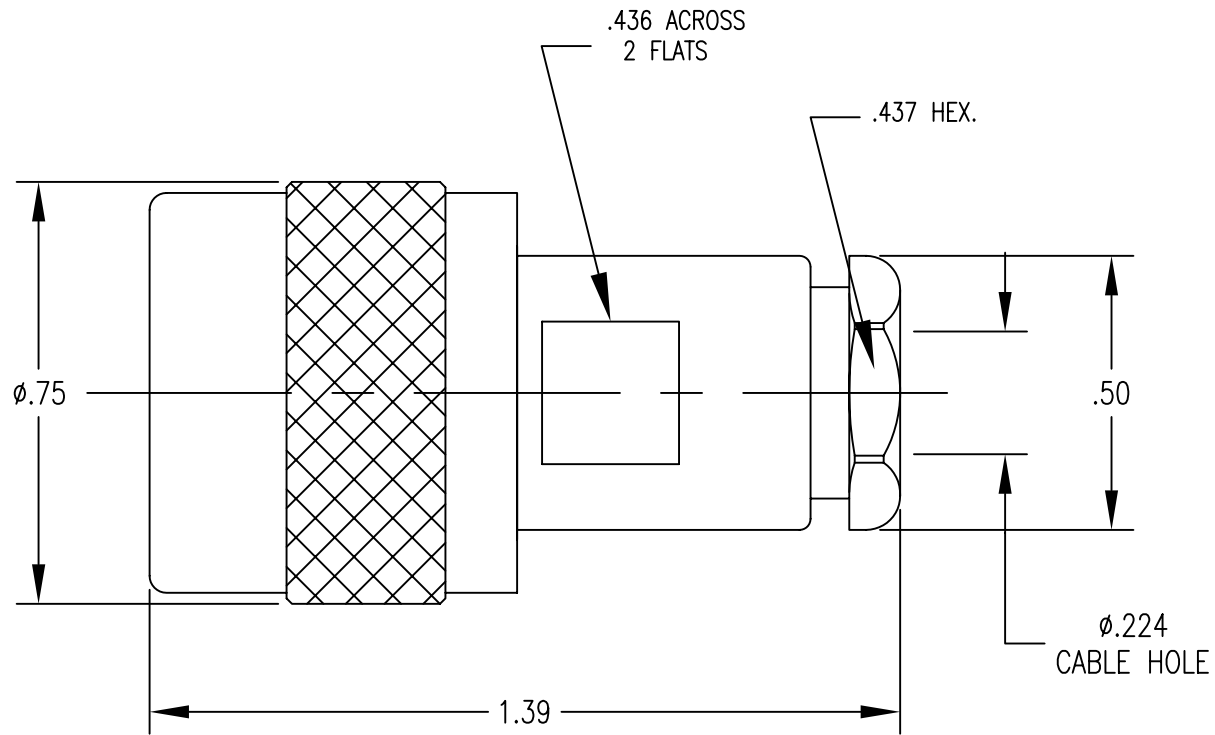


- 1.0 PERFORMANCE  
 1.1 FREQUENCY RANGE: DC-11GHz  
 1.2 VOLTAGE RATING: 1000V RMS (sea level)  
 1.3 NOMINAL IMPEDANCE: 50 OHMS  
 1.4 DWV: 3000V RMS @ 60Hz (sea level)  
 1.5 TEMPERATURE RANGE: -65°C TO +165°C  
 2.0 MATERIALS  
 2.1 DIELECTRIC: TEFLON, ASTM-D-1710  
 2.2 CENTER CONTACT: BRASS, ASTM-B-16  
 2.3 OUTER CONTACT: PHOSPHOR BRONZE, ASTM-B-139

- 2.4 SPRING WASHERS: BERYLLIUM COPPER, ASTM-B-196  
 2.5 ALL OTHER METAL PARTS: BRASS, ASTM-B-16  
 2.6 GASKET: SILICON RUBBER, ZZ-R-765, GR. 50, RED  
 3.0 FINISHES  
 3.1 CENTER CONTACT: SEE TABLE  
 3.2 ALL OTHER METAL PARTS: SEE TABLE  
 4.0 MECHANICAL  
 4.1 INTERFACE IN ACCORDANCE WITH MIL-STD-348

DWG NO. OL-709B-1		REV. B
PLATING VARIATIONS		
PART NUMBER	BODY	CONTACT
UG-709B/U	NICKEL	SILVER

DO NOT SCALE DRAWING



B	ADDED NOTE 2.3; .436 X 2 FLATS WAS .250 LTH. OF FLAT; ADDED .437 HEX. CALLOUT; .64 WAS .70 TO REF. PLANE	NEW	07/28/04	RF	
A	ORIGINAL	NEW	07/27/04		
Rev.	Revisions	Disp.	Date	Dwn.	Appd.

THIS DRAWING CONTAINS CONFIDENTIAL INFORMATION PROPRIETARY TO SAN-TRON INC. IT MUST NOT BE REPRODUCED OR DISCLOSED TO OTHERS OR USED IN ANY OTHER WAY, IN WHOLE OR PART EXCEPT AS AUTHORIZED IN WRITING BY SAN-TRON INCORPORATED.

UNLESS OTHERWISE SPECIFIED:  
 ALL DIMENSIONS ARE IN INCHES.  
 ALL DIMENSIONS ARE AFTER PLATING.  
 .XXX = ±.005 ALL MACHINED SURFACES  $\sqrt{R}$  MAX.  
 .XX = ±.01 ANG. ±1/2' FRACTIONAL = ±1/64  
 ◎.004 MAX. TIR

THIRD ANGLE PROJECTION

**SAN-TRON, INC.**  
 4 NEWBURYPORT TPK. IPSWICH MA USA 01938  
 TEL: 978 - 356 -1585 FAX: 978 - 356 -1573  
 WWW.SANTRON.COM E MAIL: santron@santron.com

**San-Tron**

TITLE TYPE C PLUG, STRAIGHT FOR RG 55, 58, 141A, 142B & 223/U CABLES

MATERIAL: SEE NOTE 2.0 FINISH: SEE NOTE 3.0

CAGE CODE: 50896 DWG NO. OL-709B-1 REV. B

SCALE X:X