

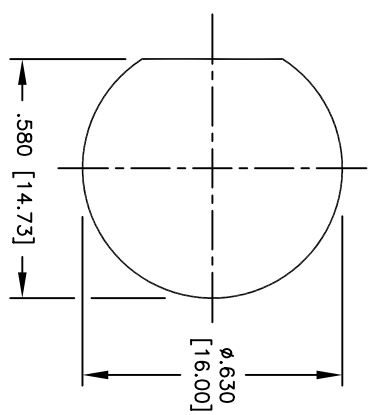
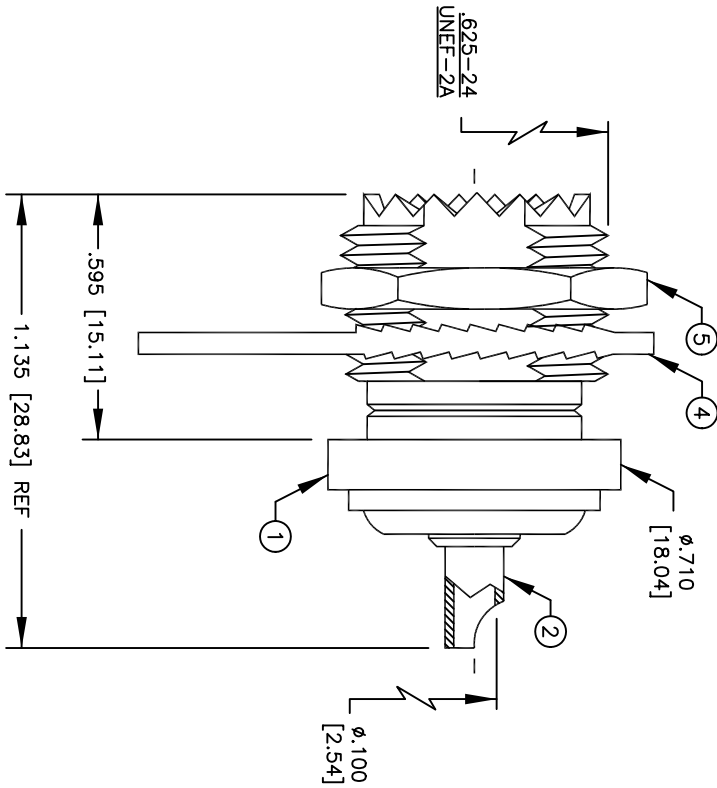
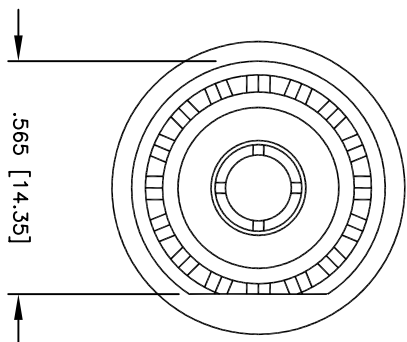
# ENVELOPE / ASSEMBLY DRAWING

000250

## SPECIFICATION CONTROL DRAWING

THIS DRAWING CONTAINS INFORMATION PROPRIETARY TO RF INDUSTRIES, LTD. ANY UNAUTHORIZED USE OF THIS DRAWING IS EXPRESSLY PROHIBITED. ANY VIOLATION IS PUNISHABLE UNDER U.S. COPYRIGHT LAWS.

ALL DIMENSIONS ARE REFERENCE ONLY



SUGGESTED MOUNTING CONFIG

**SPECIFICATIONS:**  
 IMPEDANCE: 50 OHMS  
 WORKING VOLTAGE: 500 VRMS @ SEA LEVEL  
 FREQUENCY RANGE: 0-300 MHz

ITEM	DESCRIPTION	QTY	MATERIAL	FINISH
5	HEX NUT (HEX-625-24E)	1	BRASS	NICKEL
4	LOCK SOLDER LUG (LSL-625)	1	BRASS	NICKEL
3	DIELECTRIC	1	DAP	PANTONE 129
2	CONTACT	1	BRASS	SILVER
1	BODY	1	BRASS	NICKEL

DIMENSIONS ARE IN INCHES AND [MILLIMETERS]  
 UNLESS OTHERWISE NOTED TOLERANCES ARE: DECIMALS DIAMETER

APPROVALS	DATE
DRAWN C. ZUNIGA	11/19/99
CHECKED	
ORU DRAWN C. ZUNIGA	11/19/99

**RF connectors**  
 DIVISION OF RF INDUSTRIES, LTD.  
 7610 MIRAMAR RD  
 SAN DIEGO, CA 92126  
 (858) 549-6340  
 (858) 549-6345 FAX

### RFU-524/SO-239-RM

UHF FEMALE BULKHEAD, REAR MOUNT

SIZE	CABLE GROUP	DWG NO.	REV
A	N/A	9259	A
SCALE: 2:1	CAD FILE 13ARC B	SHEET 1 OF 1	