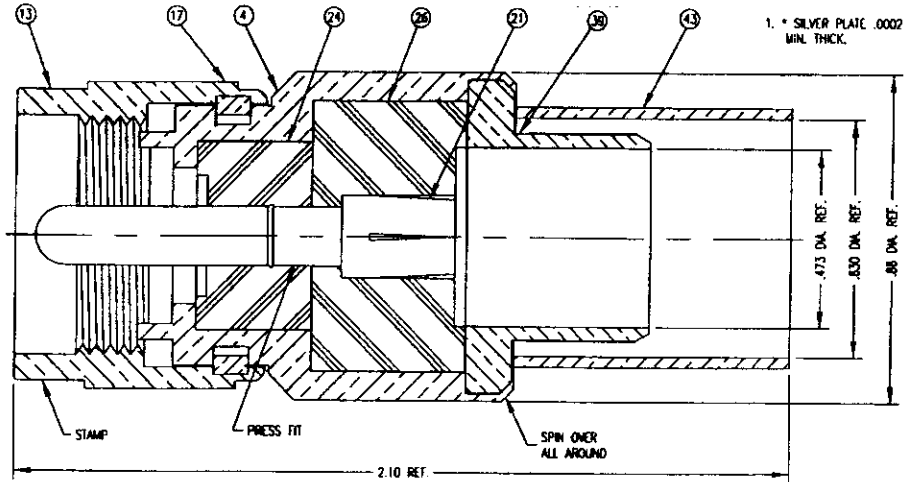


REV. STATUS SHEETS	REV. LTR.	-	REVISIONS			
SHEET NO	1		LTR	DESCRIPTION	DATE	BY
			-	Released	10/27/97	JCL



**Materials & Finishes**

Center Contact: Gold Plated Beryllium Copper  
 Outer Contact: Silver Plated Brass  
 Other Metal Parts: Silver Plated Brass  
 Dielectric: Teflon  
 Gasket: Silicone Rubber

**Electrical Properties**

Impedance: 50 Ohms  
 Working Voltage: 500 Volts (RMS max)  
 VSWR: 1.35:1 (max) up to 1 GHz  
 Insertion Loss: <0.20 dB up to 1 GHz

Unless otherwise specified dimensions in inches. Tolerances are applicable when specified.	Approvals			TIMES MICROWAVE SYSTEMS Wallingford, CT 06492		
	Drawn	JCL	10/27/97	EZ-600-UM Type UHF Male Crimp Connector for LMR-600 (non-solder pin)		
	Check					
	PrjMg			Size	Code Ident	Dwg.No.
PrdMg			A	68999	3190-615	
	QAMgr			Scale: NA		Sheet: 1 of 1