

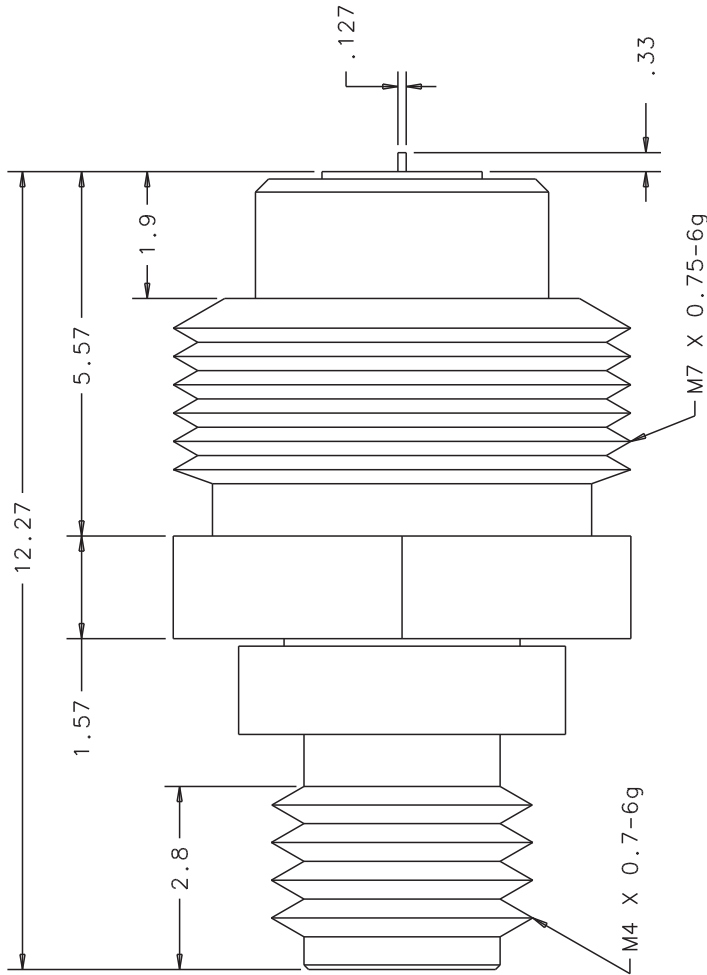
4

3

2

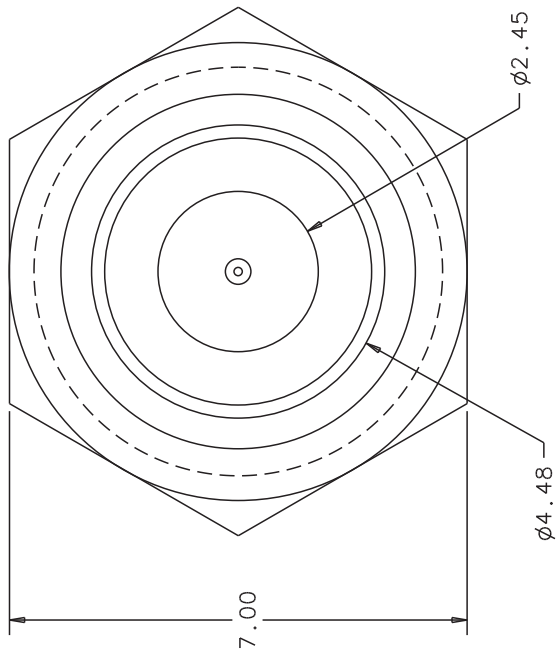
1

ZONE	REV	DESCRIPTION OF REVISION	EN NO.	BY	DATE	APPROVED
	A	INITIAL ISSUE	N/A	AT	01/04	AT
	B	ADDED NOTED REVISED TOL BLK	MC5022	AT	01/05	AT



NOTES:

- ELECTRICAL
  - FREQUENCY RANGE: DC TO 110 GHZ
  - IMPEDANCE: 50 OHMS
  - INSERTION LOSS: 0.70 DB TYPICAL
  - VSWR: 1.38 TYPICAL
  - INSULATION RESISTANCE: > 1200 M OHMS
  - CENTER CONDUCTOR CONTACT RESISTANCE: 6 MILLI OHMS TYPICAL
  - MAXIMUM POWER CW: 6 W
- MECHANICAL
  - FRONTSIDE PIN DEPTH: 0 TO 0.076 MM MAXIMUM
  - BACKSIDE PIN PROTRUSION: 0.33 MM TYPICAL
  - COUPLING NUT TIGHTENING TORQUE: 4 IN-LB MAXIMUM
  - TORQUE W1 CONNECTOR INSTALLATION: 5 IN-LB MAXIMUM
- OPERATING TEMPERATURE: 0° TO +85° C
- ENVIRONMENTAL
  - STORAGE TEMPERATURE: -54° TO +125° C
  - TEMPERATURE SHOCK: 25° C TO -40° AND 25° TO +125° C, METHOD 107G, CONDITION B
  - HUMIDITY: 95% AT 40° C, 96 HOURS, TEST 103B, CONDITION B
  - MECHANICAL SHOCK: 100 GRAM PEAK SAWTOOTH, METHOD 213, TEST CONDITION I
  - VIBRATION: SINEWAVE: 10 HZ TO 2000 HZ, 0.06" DA, METHOD 204, TEST CONDITION B
  - SALT SPRAY: 5% CONCENTRATION FOR 48 HOURS, METHOD 101D, CONDITION B
  - VOLTAGE WITHSTANDING: 500 VAC RMS, 60 SECONDS, METHOD 301
- MATERIALS
  - OUTER CONDUCTOR: BERYLLIUM-COPPER, GOLD PLATED OVER NICKEL PER MIL-G-45204C
  - CENTER CONDUCTOR: BERYLLIUM-COPPER, GOLD PLATED OVER NICKEL PER MIL-G-45204C
  - PLASTIC SUPPORT BEAD DIELECTRIC: PROPRIETARY



DIMENSIONS ARE FOR REFERENCE ONLY

UNLESS OTHERWISE SPECIFIED, ALL DIMENSIONS ARE IN MILLIMETERS (mm)	DRAWN	A. THOMAS	DATE	09/03	MATERIAL:
	CHECKED	A. SHARMA	DATE	09/03	<b>Anritsu</b>
	APPROVED	A. THOMAS	DATE	09/03	
SEE PRODUCT STRUCTURE	TOLERANCES: UNLESS OTHERWISE SPECIFIED				TITLE
ALL INFORMATION SHOWN ON THIS SPECIFICATION IS PROPRIETARY INFORMATION OF ANRITSU COMPANY	0 PLACES	ANGLES ±.5°		W1-105F OUTLINE	
	1 PLACES	SURFACE FINISH		PSD NO.	20944
DO NOT SCALE DRAWING	2 PLACES	FINISH		DRAWING NO.	62238
	FINISH	SCALE	1/X	UNDER CON CONTROL	DATE
					REV
					B
					SHEET 1 OF 1

4

3

2

1