

50-041-1590-02

NOTES:

MATERIALS:

- SST. CORROSION-RESISTANT, NON MAGNETIC 303
- BERYLLIUM COPPER
- PTFE

FINISH:

- CENTER CONDUCTORS SHALL BE PLATED GOLD OVER NICKEL.
- BODY AND BODY COMPONENTS SHALL BE PASSIVATED.

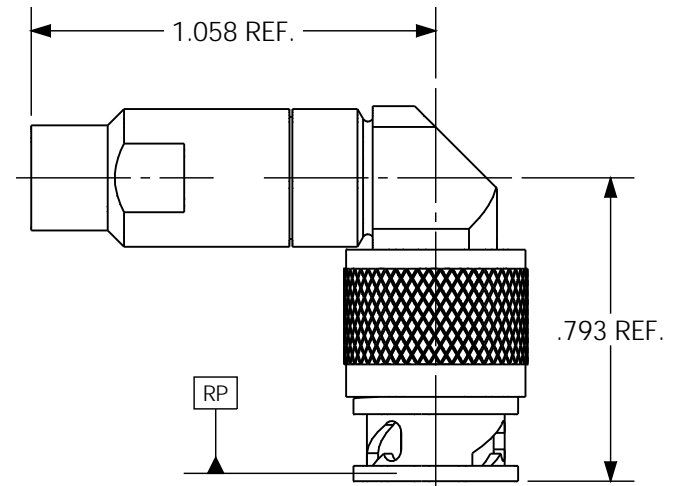
PERFORMANCE:

- FREQUENCY: DC-18 GHz
- VSWR: 1.2 TO 18 GHz
- INSERTION LOSS: .05 SQT(F(GHZ)) DB
- IMPEDANCE: 50Ohms Nom.

MECHANICAL:

- CONNECTOR DURABILITY: 500 CYCLES MINIMUM

CONNECTOR MEETS GENERAL ELETRICAL, MECHANICAL AND ENVIROMENTAL REQUIREMENTS OF MIL-C-39012 AND MIL-STD-348B.




PROPRIETARY INFORMATION

THE INFORMATION CONTAINED IN THIS DOCUMENT SHALL NOT BE DUPLICATED OR DISTRIBUTED WITHOUT WRITTEN PERMISSION FROM:

SRI CONNECTOR GAGE COMPANY
3950 DOW ROAD,
MELBOURNE, FLORIDA 32934

THIS LAYOUT IS CONCEPTUAL ONLY AND IS SUBJECT TO FINAL DRAWING.

CUSTOMER OUTLINE DRAWING

LTR	DESCRIPTION	DATE	APPR.	DRAWN JVK	CHECKED	USED ON 50-041-1590-02	 SRI CONNECTOR GAGE COMPANY 3950 DOW ROAD MELBOURNE FLORIDA 32934
-	REL	7/16		APPR.	SCALE	MATERIAL	
				UNLESS OTHERWISE SPECIFIED: 1. REMOVE ALL BURRS 2. BREAK ALL CORNERS & EDGES .005 R. MAX 3. CHAMFER 1st & LAST THREADS 45° 4. SURFACE FINISHED 32 UNLESS OTHERWISE SPECIFIED. 5. DIAMETERS ON COMMON CENTERS TO BE CONCENTRIC WITHIN .002 T.I.R. 6. ALL DIMENSIONS ARE AFTER PLATING.		FINISH	TITLE: ZMA R/A PLUG TO HP 190 SEMI-FLEX 3 EQUAL SLOTS
				DIMENSIONS ARE IN INCHES TOLERANCES		SIZE A	
				DECIMALS .X ± .030 .XX ± .010 .XXX ± .005	FRACTIONAL ± 1/64	ANGULAR .X° ± 1° .X°X ± 15'	