

NOTES:

MATERIALS:

- SST. CORROSION-RESISTANT, NON MAGNETIC 303
- BERYLLIUM COPPER
- PTFE

FINISH:

- CENTER CONDUCTORS SHALL BE PLATED GOLD OVER NICKEL.
- BODY AND BODY COMPONENTS SHALL BE PASSIVATED.

PERFORMANCE:

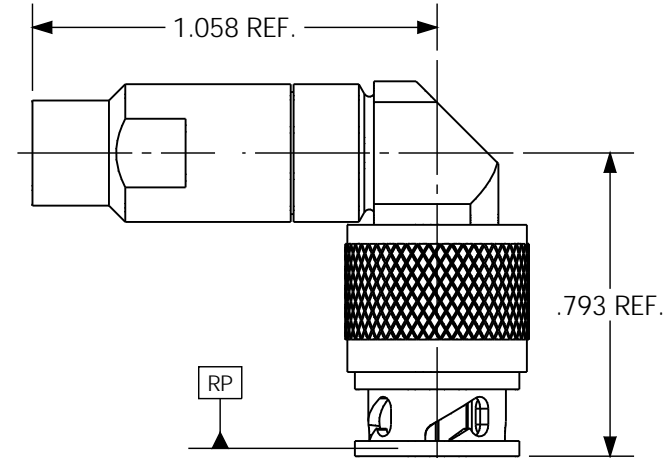
- FREQUENCY: DC-18 GHz
- VSWR: 1.2 TO 18 GHz
- INSERTION LOSS: .05 SQT(F(GHZ)) DB
- IMPEDANCE: 50ohms Nom.

MECHANICAL:

- CONNECTOR DURABILITY: 500 CYCLES MINIMUM

CONNECTOR MEETS GENERAL ELECTRICAL, MECHANICAL AND ENVIRONMENTAL REQUIREMENTS OF MIL-C-39012 AND MIL-STD-348B.

50-041-1590-01



PROPRIETARY INFORMATION

THE INFORMATION CONTAINED IN THIS DOCUMENT SHALL NOT BE DUPLICATED OR DISTRIBUTED WITHOUT WRITTEN PERMISSION FROM:

SRI CONNECTOR GAGE COMPANY
3950 DOW ROAD,
MELBOURNE, FLORIDA 32934

THIS LAYOUT IS CONCEPTUAL ONLY AND IS SUBJECT TO FINAL DRAWING.

CUSTOMER OUTLINE DRAWING



SRI CONNECTOR GAGE COMPANY
3950 DOW ROAD
MELBOURNE FLORIDA 32934

USED ON
50-041-1590-01

TITLE:
**ZMA R/A PLUG TO
HP 190 SEMI-FLEX
4 EQUAL SLOTS**

LTR	DESCRIPTION	DATE	APPR.	DRAWN JVK	CHECKED	MATERIAL	FINISH
-	REL	7/16		APPR.	SCALE		
				UNLESS OTHERWISE SPECIFIED: 1. REMOVE ALL BURRS 2. BREAK ALL CORNERS & EDGES .005 R. MAX 3. CHAMFER 1st & LAST THREADS 45° 4. SURFACE FINISHED 32 UNLESS OTHERWISE SPECIFIED. 5. DIAMETERS ON COMMON CENTERS TO BE CONCENTRIC WITHIN .002 T.I.R. 6. ALL DIMENSIONS ARE AFTER PLATING.			
				DIMENSIONS ARE IN INCHES TOLERANCES			
				DECIMALS	FRACTIONAL	ANGULAR	SIZE
				.X ± .030 .XX ± .010 .XXX ± .005	± 1/64	.X° ± 1° .X°X ± 15'	A

FSCM NO.	OHM01
SIZE	A

SHEET	1	DWG. NO.	50-041-1590-01
-------	----------	----------	-----------------------