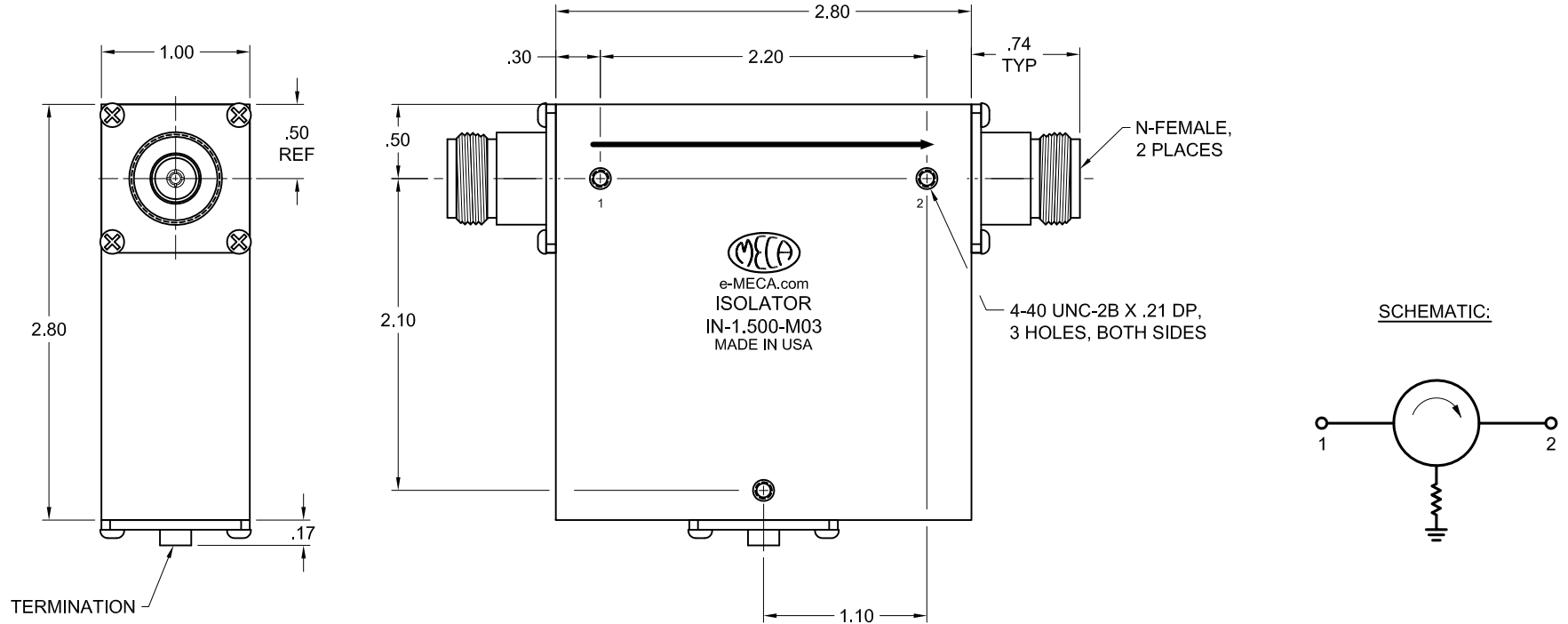


# ELECTRICAL SPECIFICATIONS

FREQUENCY RANGE (GHz): 1.000-2.000  
 IMPEDANCE (NOMINAL): 50 Ohms  
 VSWR: 1.20 TYP/1.30 MAX  
 INSERTION LOSS (dB): 0.40 TYP/0.5 MAX  
 ISOLATION (dB): 18 MIN/20 TYP  
 POWER: AVG: 10 W

# MECHANICAL SPECIFICATIONS

CONNECTORS: N-FEMALE, NICKEL PLATED BRASS  
 CONTACT PINS: BERYLLIUM COPPER, GOLD PLATE  
 OPERATING TEMPERATURE: 0°C TO +55°C  
 WEIGHT (APPROX): 16.0 oz



					MATERIAL: SEE ABOVE		UNLESS OTHERWISE SPECIFIED, DIMENSIONS ARE IN INCHES			<b>ELECTRONICS, INC.</b> DENVER, NEW JERSEY e-MECA.com		
					FINISH: SEE ABOVE		TOLERANCES 2 PLACES: ±.03 3 PLACES: ±.010 ANGLES: N/A			TITLE ISOLATOR, 1.000-2.000 GHz, N-FEMALE		
B		SEE DCN #110826-5	08/29/11	M.O.C.	RR	DRAWN: NL	DATE: 05/31/11	TIR: N/A		CODE IDENT. NO. 22424	DRAWING NO. IN-1.500-M03	REV B
A		NEW	05/31/11	NL	RR	APPROVED: RR	DATE: 05/31/11	SCALE: NTS	SIZE A			
LTR	PG	DESCRIPTION	DATE	DR	APP			SHEET: 1 OF 1				