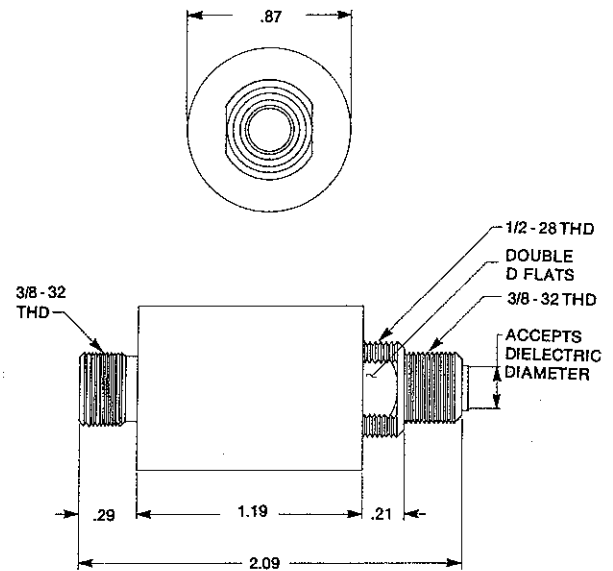


# DATAGRADE™ TERMINATORS

## SELF-TERMINATING/NON-RADIATING

Part Number	Applications	Accepts Center Conductor Size
73089	RG-6 Cable	.029 — .040
70019	RG-59 Cable	.023 — .032

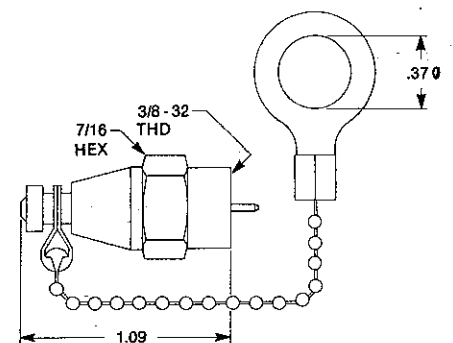
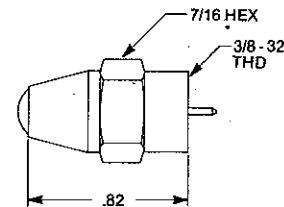
- Patented user port design provides shielding effectiveness greater than 120 dB preventing the leakage which has plagued other styles of self-terminating devices
- Operating frequency up to 1 GHz
- Applications include systems which must be "sealed" at all times due to the critical nature of the data, systems operating in high EMI noise areas, or systems which must be prevented from interfering with adjacent facilities such as airport navigation and communications
- Gold plated switch contact assures signal integrity
- Double D flats on mounting threads prevent rotation of outlet
- Designed to help equipment meet or exceed the limits of subpart J of Part 15 of FCC Rules for a Class B computing device with outlet either terminated or un-terminated
- Covered by US Patent Number 4,681,390
- Other patents pending
- Foreign patents pending
- BNC styles also available
- For tempest applications consult factory



## F TYPE

Without Chain	With Chain	Pin Finish
90099	43933	Gold Plated Pin
13373	15090	Tin Plated Pin

- High performance network terminator also meets the special requirements of carrier band systems
- Minimum return loss 40dB at 10 MHz
- Nominal impedance 75Ω
- .032" diameter pin for proper mating with both "F" and "FD" female ports
- Tin plated pin available for compatibility with tin sockets
- Gold plated pin available to assure the highest data integrity
- Available with or without retaining chain with 3/8" ID mounting lug



**GILBERT ENGINEERING CO., INC.**

POST OFFICE BOX 23189  
PHOENIX, AZ 85063-3189 USA

5310 W. CAMELBACK ROAD  
GLENDALE, AZ 85301-7597 USA

TEL: 602-245-1050  
TEL: 800-528-5567

FAX: 602-931-0684  
FAX: 800-344-6358