

CATALOG NUMBER

H055-A11-01

MATERIAL AND FINISH

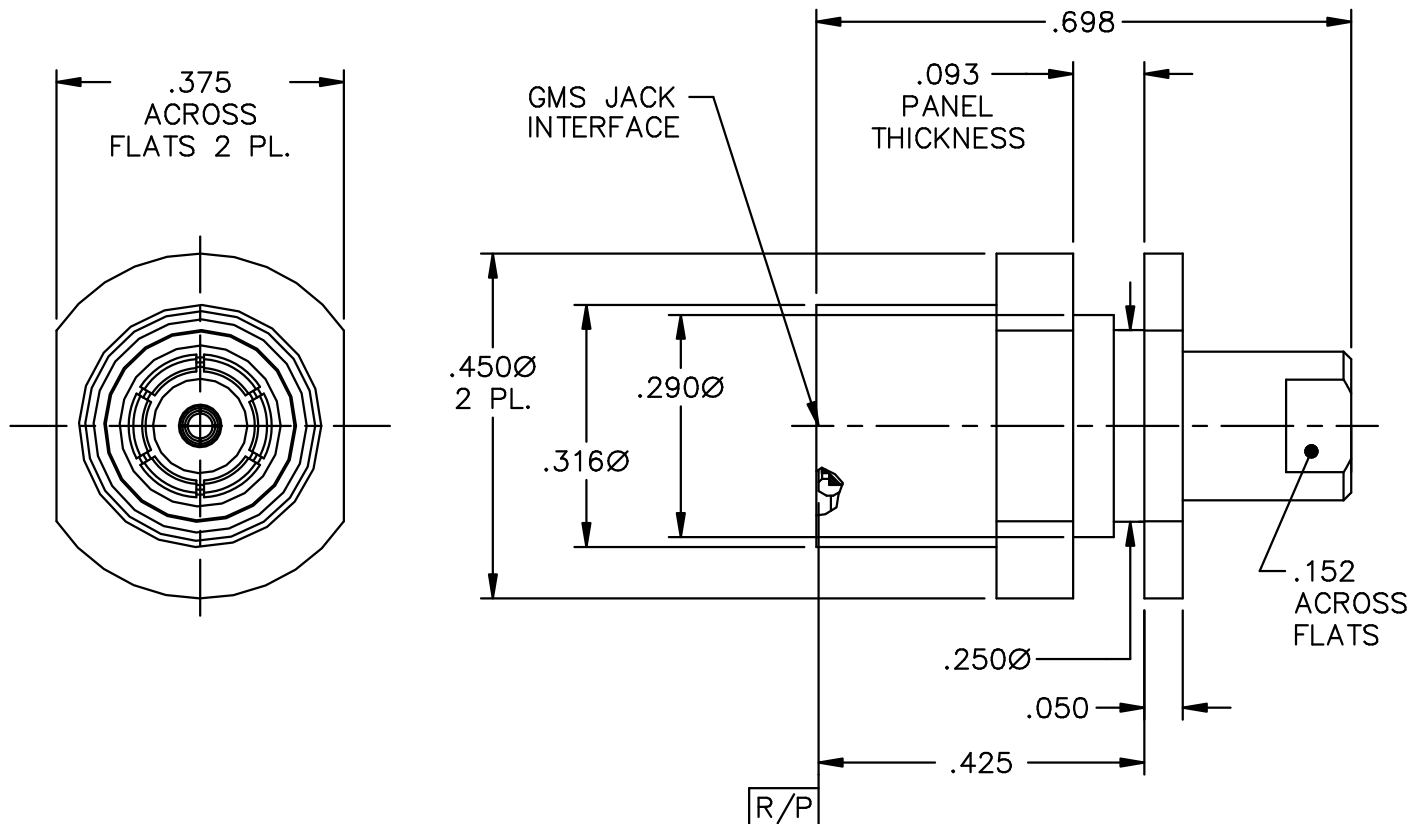
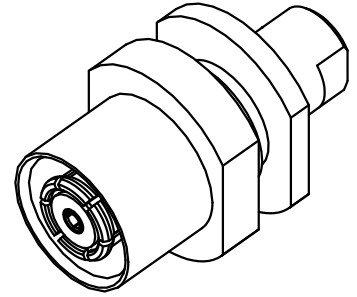
HOUSING, CAP
AND PIN:

CRES 303; PASSIVATED

CENTER CONDUCTOR,
OUTER CONTACT AND
TRANSITION:BeCu; GOLD PLATE 50-100 MICRONS
OVER NICKEL PLATE 50 MICRONS MIN.

DIELECTRICS:

VIRGIN PTFE



This drawing and any data contained herein is the property of Corning Gilbert Inc., and constitutes and contains proprietary and confidential information. Neither receipt nor possession of this drawing confers or transfers any right to duplicate, use or disclose any information contained herein except as expressly authorized by Corning Gilbert Inc.

GMS JACK BULKHEAD
50 OHM LOADIDENT CODE:
82316

REVISION: A

Corning Gilbert Inc.

SOURCE FILE: MECR# 2597

DWG. NO.: OL-H055-A11-01

ASSY. PROC.: -

This document was created with Win2PDF available at <http://www.win2pdf.com>.
The unregistered version of Win2PDF is for evaluation or non-commercial use only.
This page will not be added after purchasing Win2PDF.