

CATALOG NUMBER

0190-014-0

MATERIAL AND FINISH

CENTER CONTACT,
LOAD HOUSING,
ANTI-ROCK/EMI
RING AND END CAP:

BeCu; GOLD PLATE 50-100 MICROINCHES
OVER NICKEL PLATE 50 MICROINCHES MIN.

DIELECTRICS:

VIRGIN PTFE (TEFLON)

TYPICAL VSWR:

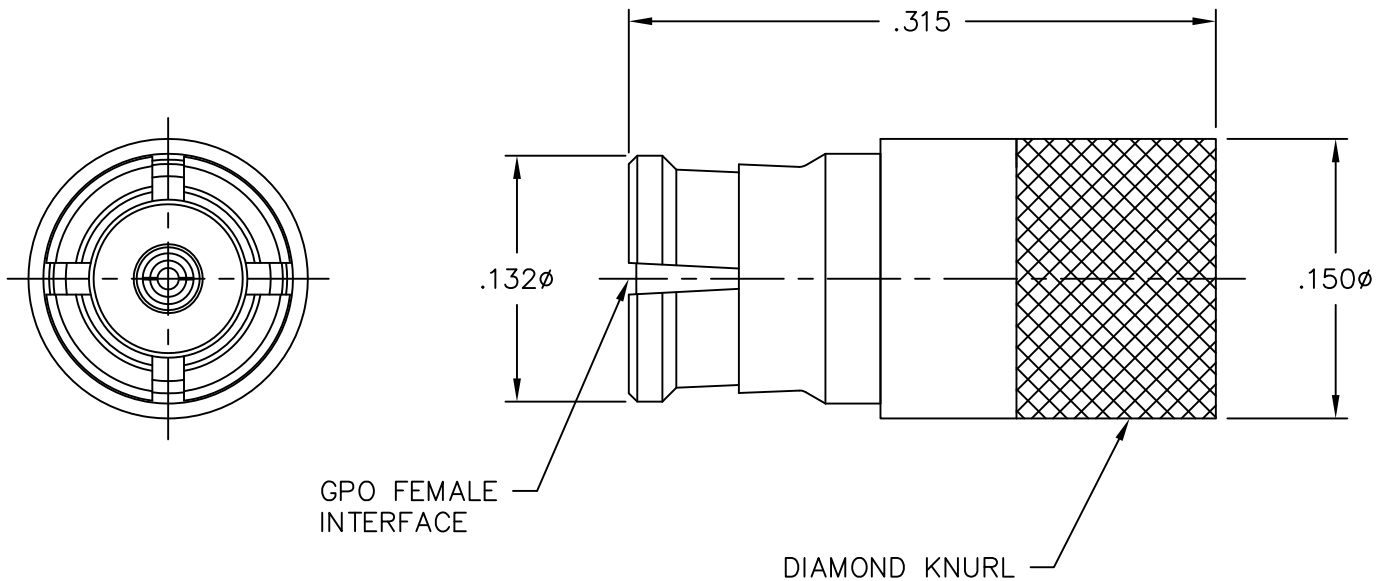
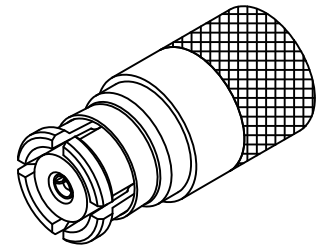
1.035 + .013 f(GHz): 1 MAX.

OPERATING FREQ:

18 GHz MAX.

MAX. AVERAGE POWER:

.25 WATTS



This drawing and any data contained herein is the property of Corning Gilbert Inc., and constitutes and contains proprietary and confidential information. Neither receipt nor possession of this drawing confers or transfers any right to duplicate, use or disclose any information contained herein except as expressly authorized by Corning Gilbert Inc.

GPO 50 OHM LOAD
DC-18.0 GHz

IDENT CODE:
82316

REVISION: L

Corning Gilbert Inc.

SOURCE FILE: SK-0971

DWG. NO.: OL-0190-014-0

ASSY. PROC.: -