

CATALOG NUMBER

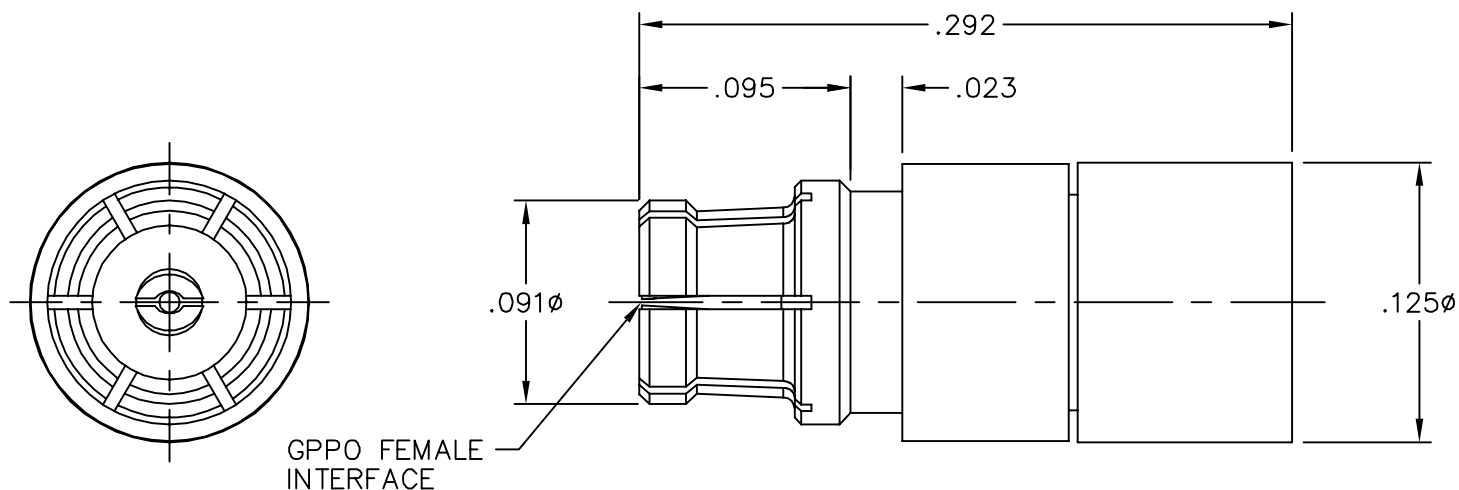
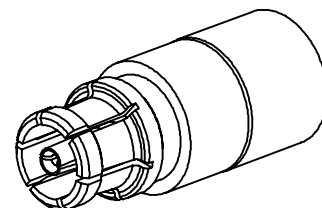
B055-A11-02

MATERIAL AND FINISH

HOUSINGS, END CAP, AND CENTER CONTACT: BeCu; GOLD PLATE 50-100 MICRONS OVER NICKEL PLATE 50 MICRONS MIN.

DIELECTRIC: VIRGIN PTFE

MAX. AVERAGE POWER: .25 WATTS



This drawing and any data contained herein is the property of Corning Gilbert Inc., and constitutes and contains proprietary and confidential information. Neither receipt nor possession of this drawing confers or transfers any right to duplicate, use or disclose any information contained herein except as expressly authorized by Corning Gilbert Inc.

GPPO FEMALE LOAD  
FIELD GRADE TERMINATION

IDENT CODE:  
82316

REVISION: H

**Corning Gilbert Inc.**

SOURCE FILE: SK-1698

DWG. NO.: OL-B055-A11-02

ASSY. PROC.: -