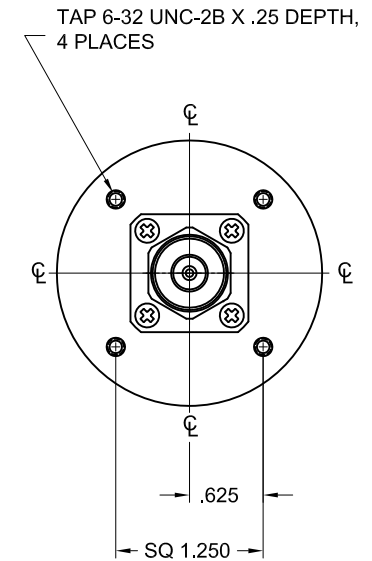
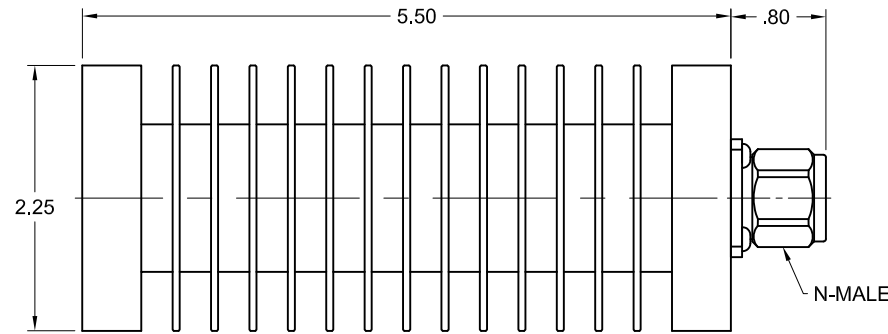
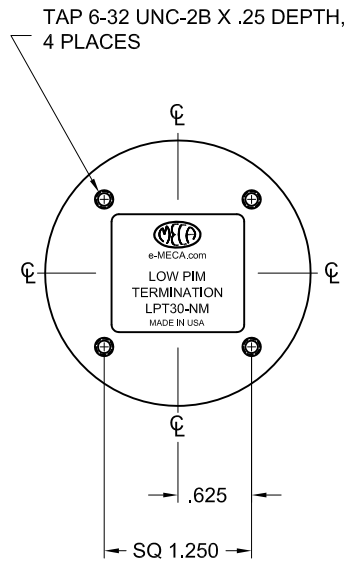



ELECTRICAL SPECIFICATIONS

FREQUENCY RANGE (GHz): 0.698 - 2.700
 IMPEDANCE (NOMINAL): 50 Ohms
 VSWR: INPUT: 1.10:1 TYP/1.20:1 MAX
 POWER: (AVG): 30 WATTS
 (PEAK): 2.5 kWATTS
 PASSIVE INTERMODULATION DISTORTION: LESS THAN -155 dBc, -160 dBc TYPICAL WITH 2 x 15 WATT TONES

MECHANICAL SPECIFICATIONS

CONNECTOR BODY: BRASS, SILVER PLATE
 CONNECTOR PINS: BERYLLIUM COPPER, SILVER PLATE
 HOUSING: ALUMINUM, BLACK ANODIZE
 O-RING: SILICONE RUBBER
 INSULATORS: PTFE, VIRGIN ELECTRICAL GRADE
 TEMPERATURE: -55°C TO +85°C
 WEIGHT (NOMINAL): 1.22 lb



MATERIAL: SEE ABOVE		UNLESS OTHERWISE SPECIFIED, DIMENSIONS ARE IN INCHES		 ELECTRONICS, INC. DENVER, NEW JERSEY e-MECA.com	
FINISH: SEE ABOVE		TOLERANCES 2 PLACES: ±.02 3 PLACES: ±.010 ANGLES: N/A			
DRAWN: NL	DATE: 04/15/13	TIR: N/A		TITLE LOW PIM TERMINATION 50 Ohms, 30 WATTS	
APPROVED: CC	DATE: 04/15/13	SCALE: NTS	SIZE A		
SHEET: 1 OF 1		CAGE CODE NO. 22424	DRAWING NO. LPT30-NM	REV A	

A	NEW	04/19/13	NL	CC
LTR	PG	DESCRIPTION	DATE	DR APP