

SPECIFICATIONS

ELECTRICAL
 FREQUENCY RANGE _____ DC-18 GHz
 VSWR
 DC - 12.4GHz _____ 1.20:1 MAX
 12.4 - 18GHz _____ 1.25:1 MAX
 INPUT POWER _____ 2 WATTS AVG. @ 25°C
 DERATED LINEARLY TO 1 WATT @ 125°C
 PEAK POWER _____ 500 WATTS
 (5uSec PULSE, .05% DUTY CYCLE)
 IMPEDANCE _____ 50 OHMS
 OPERATING TEMP RANGE -65°C TO +125°C

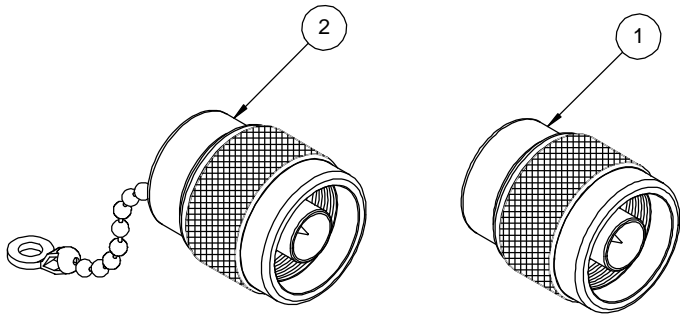
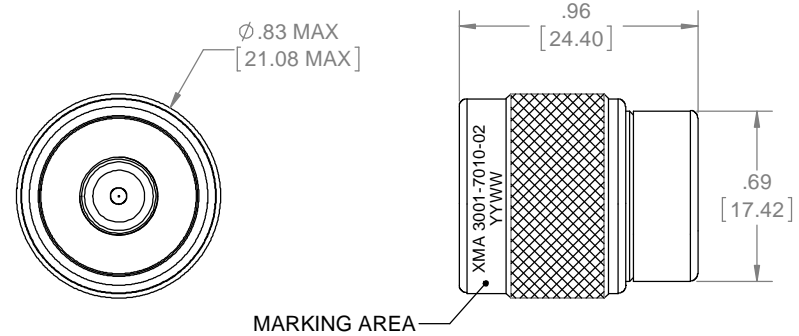
MECHANICAL

TYPE N CONNECTOR _____ PASSIVATED STAINLESS STEEL
 CONDUCTORS _____ GOLD PLATED BERYLLIUM COPPER

MARKING

PART LOOKS LIKE PRODUCT IMAGE ABOVE.
 PART MARKING ORIENTATION AND FORMAT AS SHOWN.
 MARKING TO BE AS LARGE AS POSSIBLE BE, CLEAR, AND READABLE.
 -02C EQUALS CHAINED VERSION.
 YYWW EQUALS DATE CODE.

REVISIONS				
REV	DESCRIPTION	ECO #	DATE	APPROVED
B	REDRAWN;SHOWING MARKING	14-270	7/22/14	T.KUHN
C	ADDED CHAINED VERSION	15-293	9/30/15	T.KUHN



PART #	CHAIN
3001-7010-02	NO
3001-7010-02-C	YES

NO CHAIN	CHAIN	PART NUMBER	DESCRIPTION	ITEM NO.
		SEE TABLE	TERMINATION, TYPE N-m, DC-18 GHz, 2W	
-	1	TA-3001-7010-02U	ASSEMBLY, TERMINATION, TYPE N-m, DC-18 GHz, 2W, UNMARKED	1
1	-	TA-3001-7010-02-CU	ASSEMBLY, TERMINATION, TYPE N-m, DC-18 GHz, 2W, UNMARKED, CHAINED	2

DRAWING PRACTICES PER ANSI-Y-14.5 MIL-STD-100 & 1000
 DIMENSIONS ARE IN INCHES AND APPLY BEFORE / AFTER PROCESSING
 SURFACE ROUGHNESS μ INCHES **63**
 FINISH:
 SEE NOTES
 MATERIAL:
 SEE NOTES
 NOTE:
 THIS DRAWING INCORPORATES THIRD ANGLE PROJECTION.
 INTERPRET IAW ANSI Y14.5-1982

UNLESS OTHERWISE SPECIFIED TOLERANCES IN:
 DECIMALS INCH [MM]
 .X" .05" [1.27]
 .XX" .03" [.76]
 .XXX" .010" [.25]
 ANGLES $\pm 0^{\circ}30'$
 REMOVE ALL BURRS/SHARP W/ BREAK / R OF .003" TO .0005" UNLESS OTHERWISE NOTED
 DIAS CONCENTRIC <.003 T.I.R.
 DO NOT SCALE PRINT

DRAWN **A.GAGNE** DATE
 CHECKED DATE **10/12/10**
 ENG. APPR. DATE
 THESE DRAWINGS AND SPECIFICATIONS ARE THE PROPERTY OF XMA CORP. OR OMNI SPECTRA AND SHALL NOT BE REPRODUCED, COPIED NOR USED - IN WHOLE OR IN PART - AS A BASIS FOR THE MANUFACTURE OR SALE OF OTHER ITEMS WITHOUT THE EXPRESS WRITTEN PERMISSION OF XMA CORP.

XMA Omni Spectra
 Phone: 603-222-2256 Fax: 603-222-2259
 150 Dow Street, Manchester, NH 03101

TITLE
TERMINATION, TYPE N-m, DC-18 GHz, 2W

SIZE	CAGE CODE	DRAWING NUMBER	REV
B	3HT76	3001-7010-02	C
SCALE	PLATED AREA SQ. IN	SHEET	OF
		1	1