

5

4

3

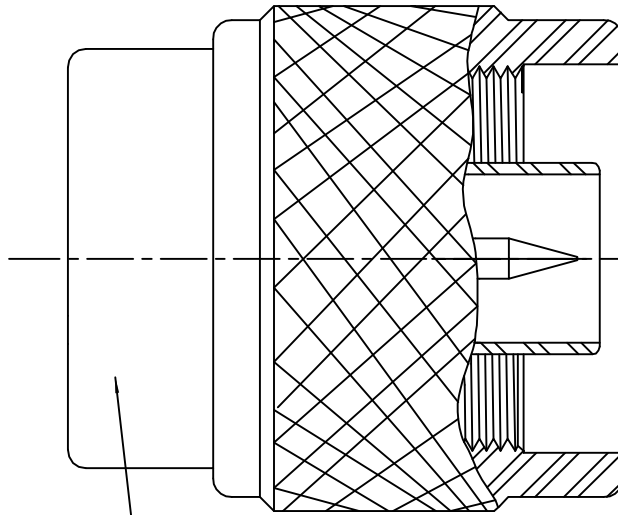
2

1

**PRODUCTION  
RELEASE**

REVISIONS

LTR	DESCRIPTION	DATE	APPROVED
-	Released	8/24/10	A. Gagne



SPECIFICATIONS

FREQ. RANGE: DC TO 4.0 GHz  
 VSWR(MAX): 1.10:1  
 POWER(AVG): 2 WATTS AT +25°C  
 DERATED TO 200 mW  
 AT +125°C  
 IMPEDANCE: 50 ohms ±5%

PART MARKING:  
XMA 3001-6151-02

NOTES:  
 1. MATERIAL: INNER CONDUCTOR: BERYLLIUM COPPER PER QQ-C-530.  
 OUTER CONDUCTOR: STEEL, CORROSION RESISTANT PER  
 ASTM A484 & A582, CLASS 303, COND. A,  
 DIELECTRIC: TEFLON PER, ASTM D1710.  
 2. FINISH: INNER CONDUCTOR: GOLD PLATED PER MIL-G-45204.  
 OUTER CONDUCTOR: PASSIVATED PER ASTM A380.

DRAWING PRACTICES PER ANSI-Y-14.5 MIL-STD-100 & 1000	UNLESS OTHERWISE SPECIFIED TOLERANCES ON	DRAWN A. Gagne 8/24/10	DATE
DIMENSIONS ARE IN INCHES AND APPLY BEFORE/AFTER PROCESSING	DECIMALS INCH MM	CHECKED	DATE
SURFACE ROUGHNESS	.X" .03" [.76] .XX" .010" [.25] .XXX" .005 [.127] .XXXX" .0005" [.013]	ENG.	DATE
FINESS# SEE NOTES	ANGLES ±0°30'	THESE DRAWINGS AND SPECIFICATIONS ARE THE PROPERTY OF XMA CORP. AND SHALL NOT BE REPRODUCED, COPIED NOR USED - IN WHOLE OR IN PART - AS A BASIS FOR THE MANUFACTURE OR SALE OF OTHER ITEMS WITHOUT THE EXPRESS WRITTEN PERMISSION OF XMA CORP.	
MATERIAL: SEE NOTES	REMOVE ALL BURRS/SHARP EDGES WITH BREAK / R OF .005" TO .0005"	TITLE TYPE N PLUG TERMINATION	
	UNLESS OTHERWISE NOTED	SIZE B	CAGE CODE 96341
		DRAWING NUMBER 3001-6151-02	SCALE 5:1
		PLATED AREA	XXX
		SHEET 1 OF 1	BCSI

**XMA Corporation** P:603-222-2256  
 F:603-222-2259  
 150 Dow Street, Manchester, NH 03101

SIZE B	CAGE CODE 96341	DRAWING NUMBER 3001-6151-02
SCALE 5:1	PLATED AREA	XXX
SHEET 1 OF 1		

5

4

3

2

1

BCSI