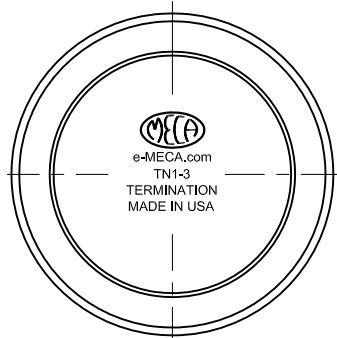
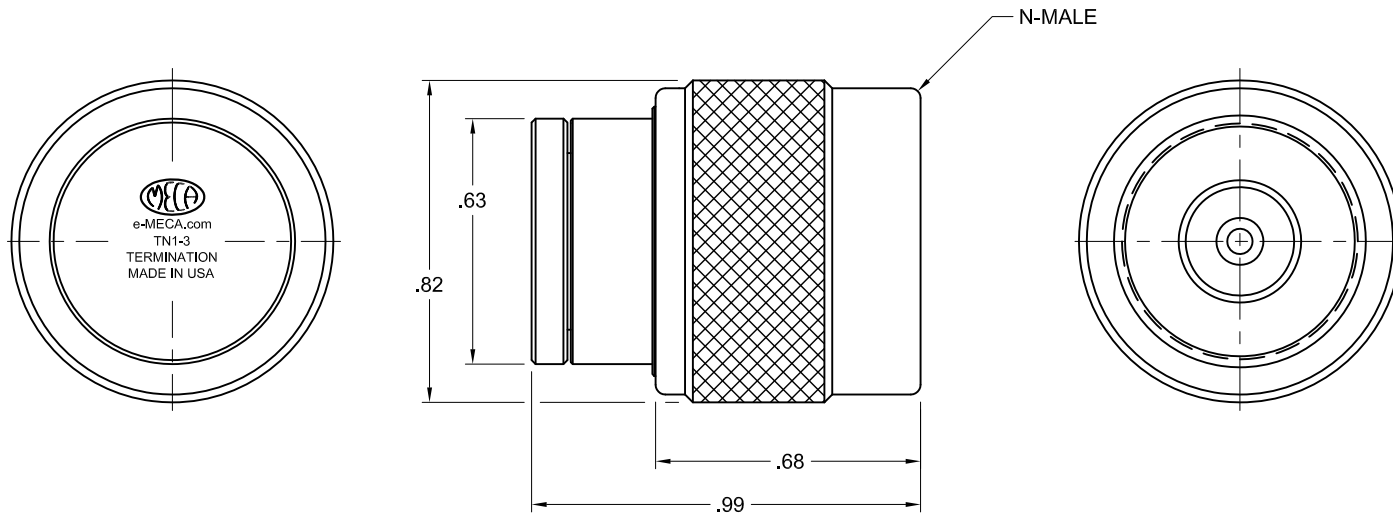


ELECTRICAL SPECIFICATIONS

FREQUENCY: Hz - 3.0 GHz
 IMPEDANCE (NOMINAL): 50 Ohms
 VSWR (MAX): 1.10:1
 POWER (AVG): 1 WATT @ +25°C
 DERATES LINEARLY TO
 0.375 WATTS @ +85°C
 (PEAK): 1,000 WATTS 5 μSEC PULSE,
 0.05% DUTY CYCLE


MECHANICAL SPECIFICATIONS

CONNECTOR NUT: BRASS, ALBALOY PLATED
 CONTACT PIN: BRASS, GOLD PLATED
 HOUSING: BRASS, ALBALOY PLATED
 INSULATOR: PTFE, VIRGIN ELECTRICAL GRADE
 OPERATING TEMPERATURE: -55° TO +85°C
 WEIGHT: 1.3 oz



B		SEE DCN #120210-8	02/20/12	M.O.C.	RR
A		NEW	10/21/10	NL	RR
LTR	PG	DESCRIPTION	DATE	DR	APP

MATERIAL: SEE ABOVE		UNLESS OTHERWISE SPECIFIED, DIMENSIONS ARE IN INCHES	
FINISH: SEE ABOVE		TOLERANCES 2 PLACES: ±.01 3 PLACES: N/A ANGLES: N/A	
DRAWN: NL	DATE: 10/21/10	TIR: N/A	
APPROVED: RR	DATE: 10/21/10	SCALE: NTS	SIZE A
		SHEET: 1 OF 1	

 ELECTRONICS, INC. DENVER, NEW JERSEY e-MECA.com		TITLE TERMINATION, 50 OHMS, TYPE N-MALE, 1 WATT		